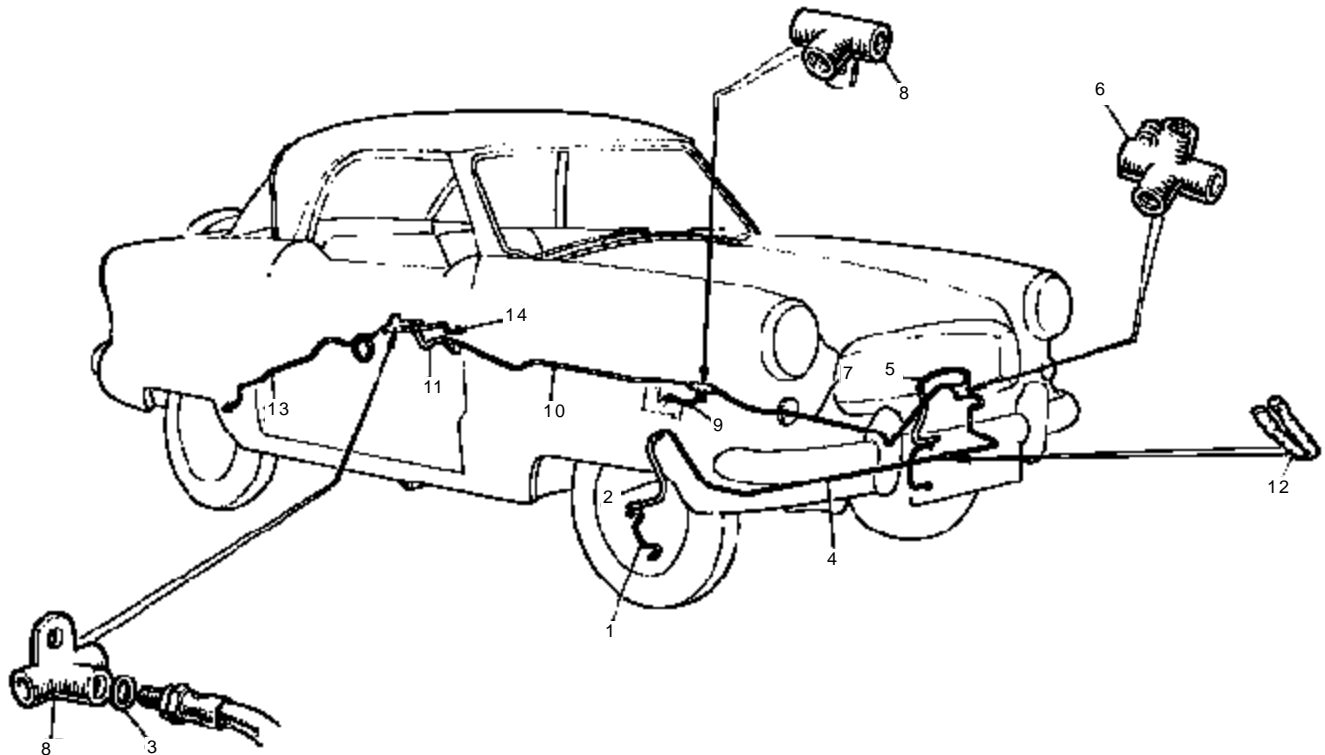


No	Part #	Description	Application	Qty Req	Price Each
1	811 0556	Master cylinder	-E29283	1	265.00
	1H5476	Master cylinder	E29284-	1	170.91
	811 2071	Repair kit, 3/4"	-E29283	1	23.90
	8G8568	Repair kit, 5/8"	E29284-	1	23.90
2	2A5277	Brake pedal (U)		1	10.89
3	1G5028	Pedal cover		1	11.92
4	2A5209	Sealing cushion		1	3.45
5	811 0546	Lever (U)	-E11000	1	14.52
	811 1888	Lever (U)	E11001-E29283	1	14.52
	1H5491	Lever (U)	E29284-	1	14.52
6	2H2828	Lubricator (Grease Zerk)		1	NCA
7	2A5390	Return spring		1	NCA
8	2A5322	Bracket (U)		1	16.94
9	HBZ0528	Screw	E11001-	1	3.21
10	2A5320	Spacer	E11001-	1	6.36
11	811 0555	Bracket (U)	-E11000	1	14.52
	2A5357	Bracket (U)	E11001-	1	14.52
12	14A9436	Cover		1	28.00



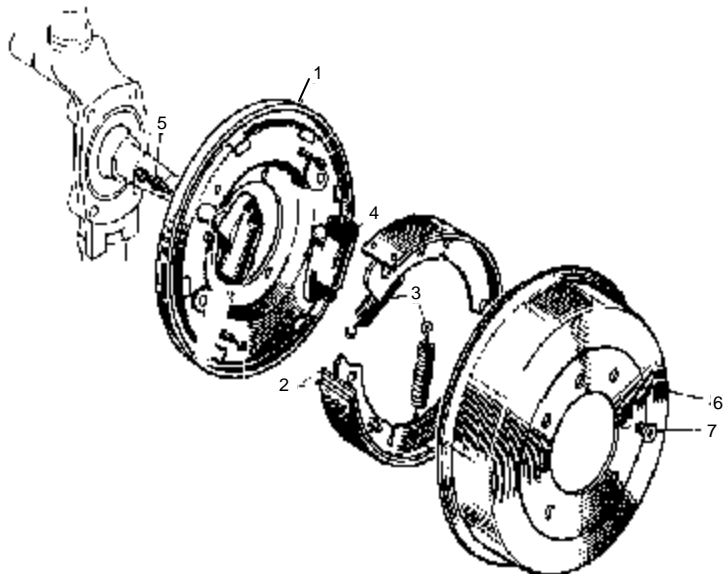
No	Part #	Description	Application	Qty Req	Price Each
1	2A5268	Pipe, cylinder/cylinder		2	15.23
2	2A4164	Hose, front		2	47.50
3	3H2287	Sealing washer		3	1.16
4	1H2114	Pipe, front right/4-way		1	43.75
5	1H2113	Pipe, front left/4-way		1	19.25
6	11K5303	Connector, 4-way		1	92.87
7	1H2112	Pipe, 3-way/4-way		1	33.25
8	2A5346	Connector, 3-way		2	33.25
9	1H2117	Pipe, master/3-way		1	14.75
10	1H2115	Pipe, 3-way/hose		1	42.75
11	1G4406	Hose, rear		1	43.26
12	8G613	Clip		8	1.88
13	811 0927	Pipe, 3-way/right cylinder	-E29283	1	23.75
	21A460	Pipe, 3-way/right cylinder	E29284-	1	23.75
14	811 0926	Pipe, 3-way/left cylinder	-E29283	1	17.25
	21A461	Pipe, 3-way/left cylinder	E29284-	1	17.25

Still driving on rusty, 40+ year old steel brake lines? Protect your life and your investment with a new set of steel lines.

USE ONLY **CASTROL GT LMA BRAKE FLUID**

The seals and hoses in your brake and clutch system are made from *natural rubber* which is only compatible with *vegetable based* brake fluid. The only vegetable based brake fluid generally available in the US is *Castrol GT LMA*. Use of improper fluids or mixing of fluids can lead to complete failure of brake and clutch hydraulics. On cars not used for daily transportation, brake and clutch systems should be exercised on a regular schedule.

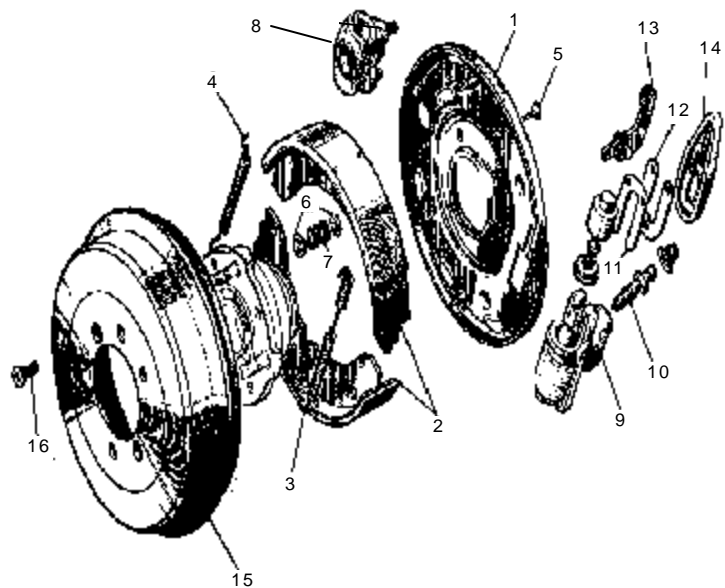
17H4762	Brake/clutch fluid	12 oz	2	8.17
7H4739	Brake/clutch fluid	QT	1	19.06



FRONT

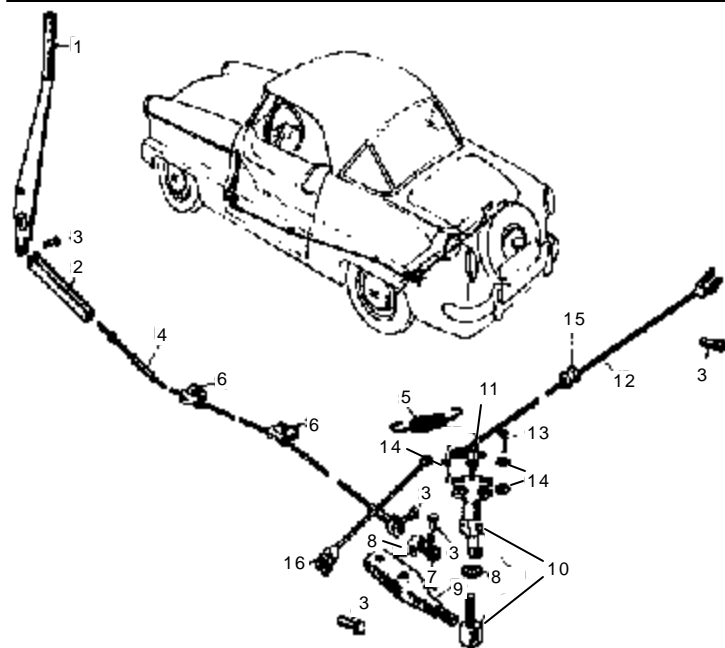
No	Part #	Description	Application	Qty Req	Price Each
1	811 0990	Back plate, front right (U)	-E29283	1	39.00
	2A4192	Back plate, front right (U)	E29284-	1	95.00
	811 0989	Back plate, front left (U)	-E29283	1	39.00
2	2A4194	Back plate, front left (U)	E29284-	1	95.00
	811 0986	Shoe set, front (X125)	-E29283	1	69.75
3	8G4152	Shoe set, front (X50)	E29284-	1	69.75
	17H4565	Return spring		4	13.65
4	811 0993	Wheel cylinder, front right	-E29283	2	199.65
	17H4393	Wheel cylinder, front right	E29284-	2	48.10
	811 0992	Wheel cylinder, front left	-E29283	2	199.65
	17H4394	Wheel cylinder, front left	E29284-	2	48.10
	811 1793	Repair kit	-E29283	1	55.00
5	8G4153	Repair kit	E29284-	1	55.00
	7H4973	Bleed screw		2	4.54
6	ATA7255	Brake drum (U)		2	98.00
7	CMZ0410	Screw		4	1.95

Having trouble bleeding your brakes? Go to www.kipmotor.com and check out the FAQ section for step-by-step instructions.



REAR

No	Part #	Description	Application	Qty Req	Price Each
1	811 1006	Back plate, rear right (U)	-E29283	1	39.00
	2A7260	Back plate, rear right (U)	E29284-	1	39.00
	811 1005	Back plate, rear left (U)	-E29283	1	39.00
	2A7263	Back plate, rear left (U)	E29284-	1	39.00
2	8G7100	Shoe set, rear (X15)		1	69.75
3	7H4773	Spring, cylinder end		2	9.99
4	7H4774	Spring, adjuster end		2	9.99
5	17H4383	Retaining pin	E29284-	4	2.00
6	17H4374	Cup washer	E29284-	8	1.33
7	17H4375	Spring	E29284-	4	1.76
8	7H4775	Adjuster assy		2	53.19
9	811 1010	Wheel cylinder, rear	-E29283	2	199.65
	17H4409	Wheel cylinder, rear	E29284-	2	39.03
10	811 1012	Repair kit	-E29283	1	28.00
	8G8081	Repair kit	E29284-	1	23.75
11	7H4973	Bleed screw		2	4.54
12	17H4386	Retaining spring		2	14.75
13	17H4385	Lockplate		2	12.75
14	811 1013	Lever	-E29283	2	36.00
	17H4382	Lever	E29284-	2	32.00
15	811 1015	Dust cover	-E29283	2	16.25
	17H4384	Dust cover	E29284-	2	8.95
16	ATA7255	Brake drum (U)		2	98.00
17	CMZ0410	Screw		4	1.95



HANDBRAKE

No	Part #	Description	Application	Qty Req	Price Each
1	1H5640	Handbrake lever assy (X)		1	175.45
2	2A5207	Connector		1	14.83
3	2K6930	Clevis pin		3	1.16
4	2A5222	Cable		1	109.73
5	2A5219	Return spring		1	NCA
6	2A5249	Guide (U)		2	8.47
7	1A7766	Link (U)		1	10.29
8	2K5291	Washer, felt		7	1.69
9	2A7059	Lever, support (U)		1	10.29
10	2A7057	Lever, balance (U)		1	9.08
11	UHN490	Lubricator		1	2.73
12	2A7266	Crossrod, long (U)		1	14.52
13	6K689	Pin		2	1.21
14	6K690	Washer, felt		4	1.76
15	1B5329	Ferrule		1	NCA
16	2A7267	Crossrod, short (U)		1	11.50
BAW-1		Brake adjusting wrench (1/4 & 5/16" square ends)			23.30

Don't drive without a working handbrake system!