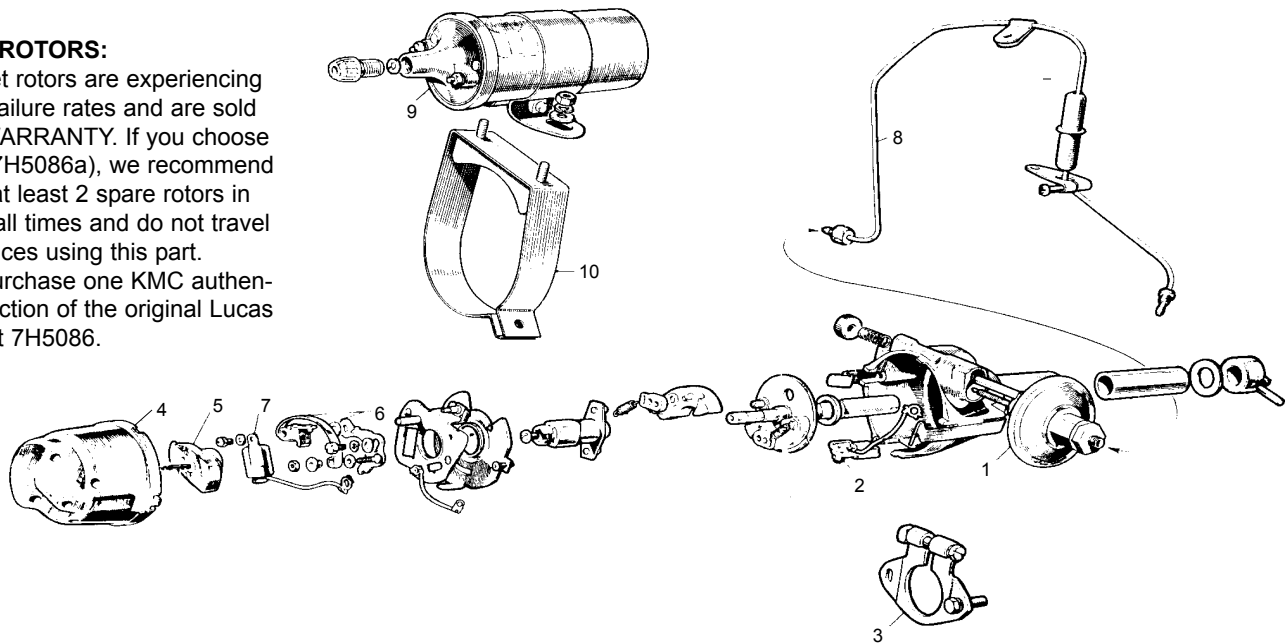


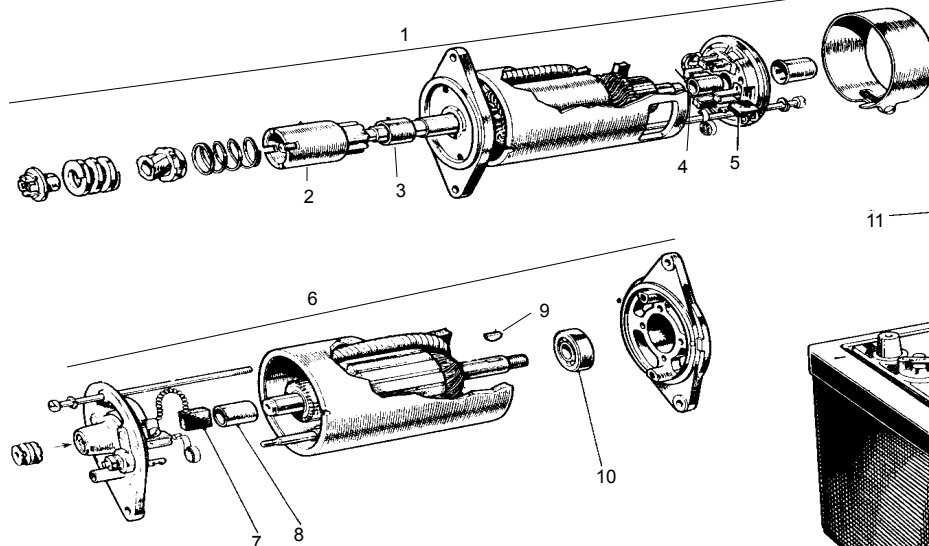
IGNITION ROTORS:

Aftermarket rotors are experiencing very high failure rates and are sold with NO WARRANTY. If you choose this item (7H5086a), we recommend you keep at least 2 spare rotors in the car at all times and do not travel long distances using this part. Instead, purchase one KMC authentic reproduction of the original Lucas rotor ~ part 7H5086.



No	Part #	Description	Application	Qty Req	Price Each
	811 0289	Distributor 40284 (X125)	1G prefix	1	132.00
	811 1707	40438 (X125)	2G prefix	1	247.50
	1H807	40499 (X95)	1H prefix	1	214.50
	1H1100	40600 (X95)	A/C/FNH	1	214.50
	811 PWS	Plug wire set		1	25.85
1	811 1106	Vacuum unit	540	1	218.35
	47H5555	Vacuum unit	560	1	126.50
2	17H5280	Bush & lead		1	32.84
3	3H2138	Clamping plate		1	50.33

No	Part #	Description	Application	Qty Req	Price Each
4	811 1094	Distributor cap	540	1	76.18
	17H5422	Distributor cap	560	1	26.79
	7H5086	Rotor arm (Authentic Reproduction)		1	21.73
	7H5086a	Rotor arm (sold with NO WARRANTY)		3	4.68
6	811 1098	Contact set	540	1	17.88
	17H5423	Contact set	560	1	7.54
7	47H5250	Condensor		1	5.45
8	11G75	Vacuum tube		1	76.18



No	Part #	Description	Application	Qty Req	Price Each
1	3H952	Starter (X65)		1	148.50
2	7H5046	Drive gear		1	48.35
3	7H5049	Bushing, drive end		1	3.69
4	7H5042	Bushing, commutator end		1	3.80
5	7H5040	Brush set		1	10.73
6	13H219	Generator - 22258 (X65)	540/560	1	159.50
	13H425	Generator - 22700 (X50)	560	1	148.50
7	811 1069	Brush set, generator	22258	1	9.74
	47H5388	Brush set, generator	22700	1	5.78
8	7H5390	Bushing, generator		1	3.58
9	WKN404	Key		1	1.21
10	97H626	Bearing, generator		1	16.23
11	14A9439	Hold down bracket		1	54.73

No	Part #	Description	Application	Qty Req	Price Each
	ALH859	Battery box		1	148.50
	ALH862	Cover, battery box (U)		1	28.60

NOTE: Electrical systems were originally 12 volt positive ground.

Starters and generators are rebuilt by KMC to demanding standards for long service, unlike cheaper alternatives.