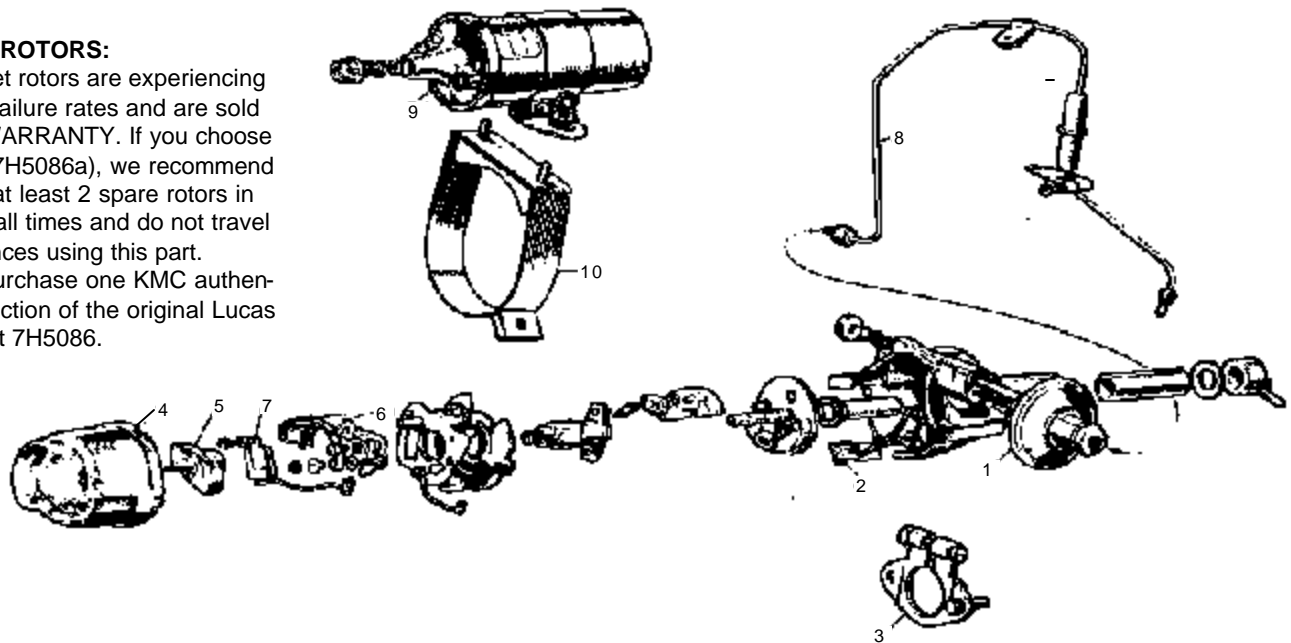
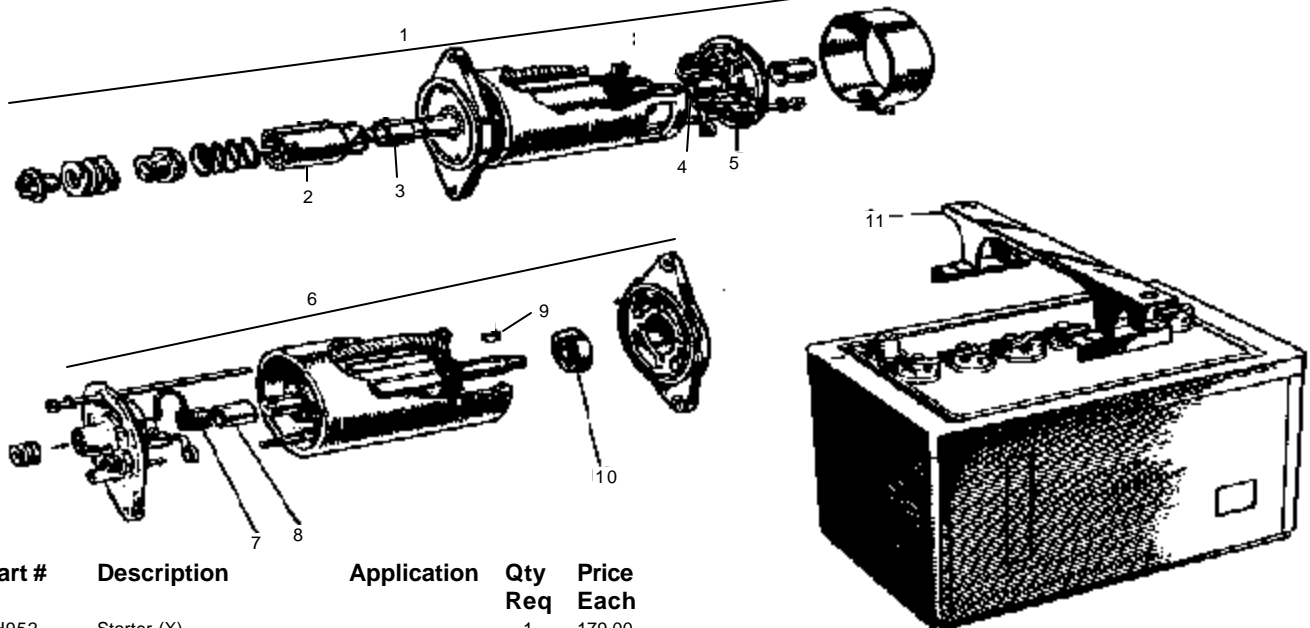


IGNITION ROTORS:

Aftermarket rotors are experiencing very high failure rates and are sold with NO WARRANTY. If you choose this item (7H5086a), we recommend you keep at least 2 spare rotors in the car at all times and do not travel long distances using this part. Instead, purchase one KMC authentic reproduction of the original Lucas rotor ~ part 7H5086.



No	Part #	Description	Application	Qty Req	Price Each	No	Part #	Description	Application	Qty Req	Price Each
	811 0289	Distributor 40284 (X125)	1G prefix	1	325.00	4	811 1094	Distributor cap	540	1	84.10
	811 1707	40438 (X125)	2G prefix	1	295.00		17H5422	Distributor cap	560	1	29.47
	1H807	40499 (X95)	1H prefix	1	265.00	5	7H5086	Rotor arm (Authentic Reproduction)		1	23.90
	1H1100	40600 (X95)	A/C/FNH	1	265.00		7H5086a	Rotor arm (sold with NO WARRANTY)		3	5.15
	811 PWS	Plug wire set		1	32.00	6	811 1098	Contact set	540	1	19.67
1	811 1106	Vacuum unit	540	1	240.19		17H5423	Contact set	560	1	8.29
	47H5555	Vacuum unit	560	1	183.92	7	47H5250	Condenser		1	6.00
2	17H5280	Bush & lead		1	36.12	8	11G75	Vacuum tube		1	89.00
3	3H2138	Clamping plate		1	55.36	9	AMK5611	Coil		1	50.52
						10	12H321	Bracket		1	36.12

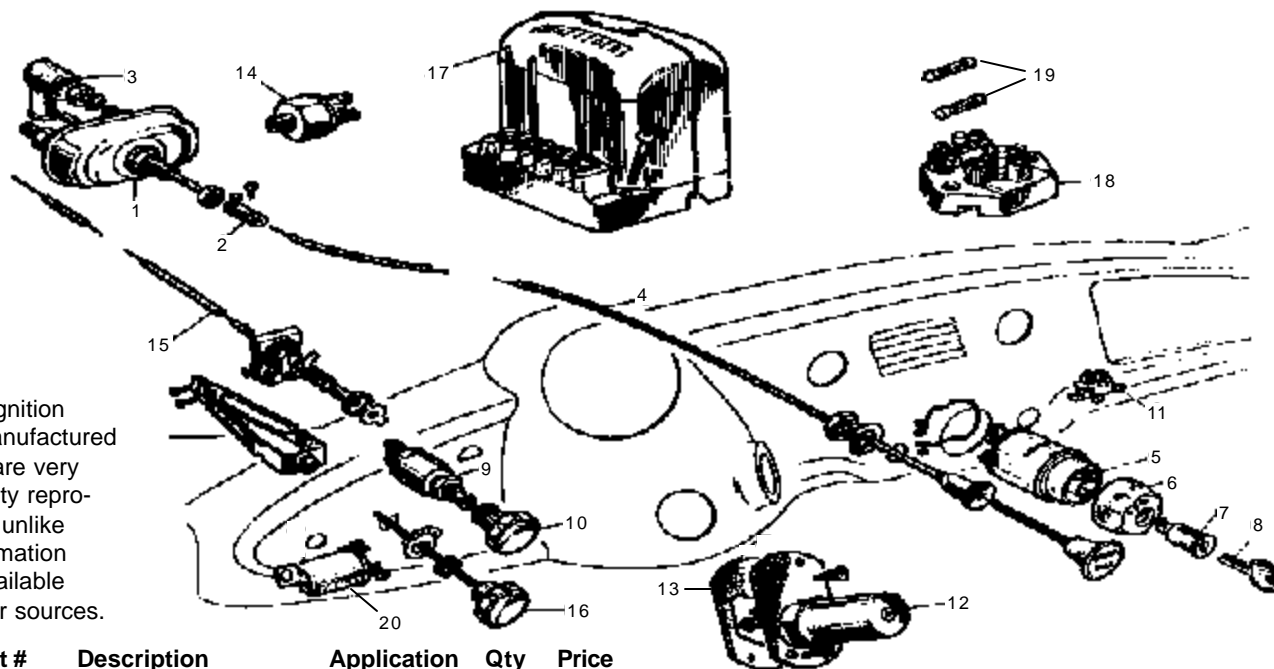


No	Part #	Description	Application	Qty Req	Price Each
11	3H952	Starter (X)		1	179.00
2	7H5046	Drive gear		1	53.19
3	7H5049	Bushing, drive end		1	4.06
4	7H5042	Bushing, commutator end		1	4.18
5	7H5040	Brush set		1	11.80
6	13H219	Generator - 22258 (X65)	540/560	1	195.00
	13H425	Generator - 22700 (X50)	560	1	185.00
7	811 1069	Brush set, generator	22258	1	10.71
	47H5388	Brush set, generator	22700	1	6.36
8	7H5390	Bushing, generator		1	3.94
9	WKN404	Key		1	1.33
10	97H626	Bearing, generator		1	17.85
11	14A9439	Hold down bracket		1	68.75

No	Part #	Description	Application	Qty Req	Price Each
	ALH859	Battery box		1	165.00
	ALH862	Cover, battery box (U)		1	42.00

NOTE: Electrical systems were originally 12 volt positive ground.

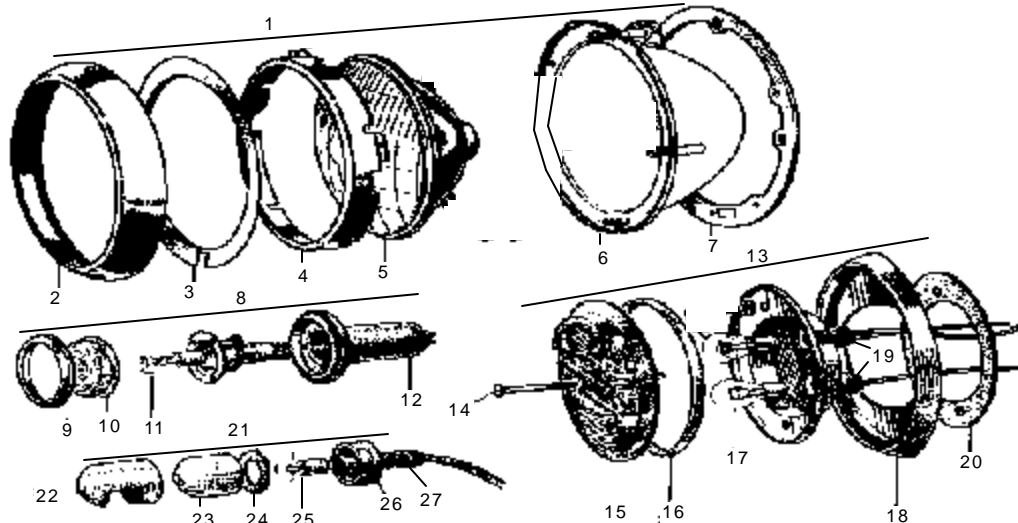
Starters and generators are rebuilt by KMC to demanding standards for long service, unlike cheaper alternatives.



Lighting/ignition knobs manufactured by KMC are very high quality reproductions, unlike those clamation knobs available from other sources.

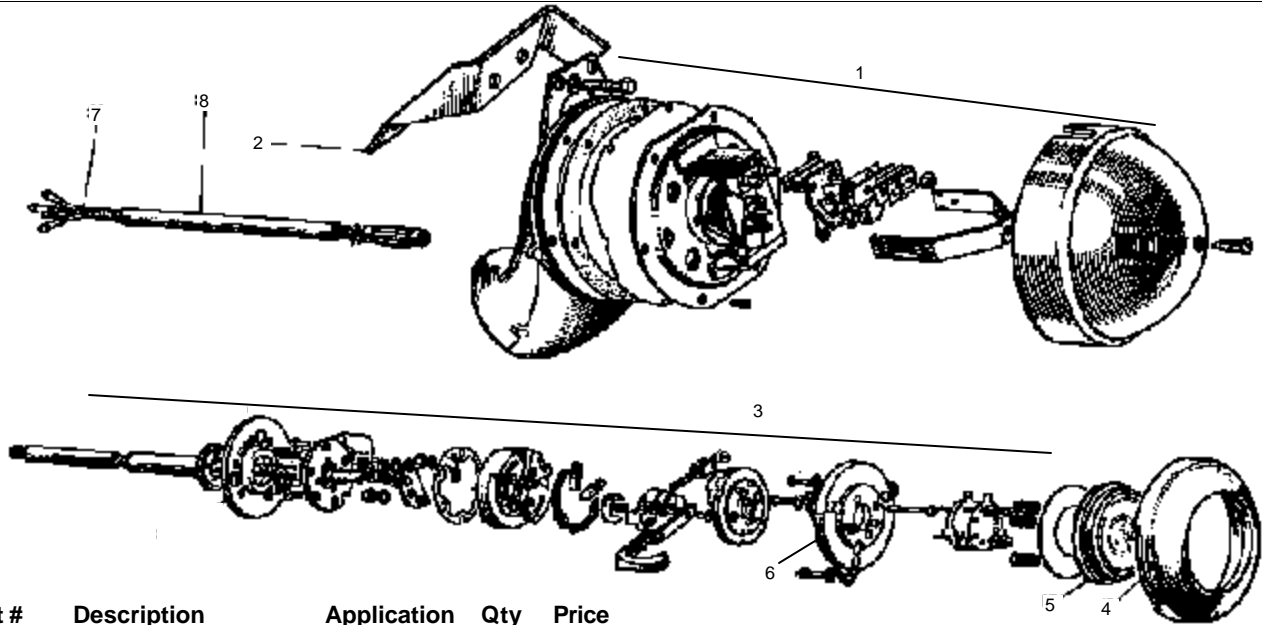
No	Part #	Description	Application	Qty	Price
				Req	Each
1	3H949	Starter switch		1	72.30
2	3H950	Connector		1	10.59
3	8G548	Insulator		2	3.58
4	3H2771	Cable assy, starter		1	84.00
5	17H5212	Lighting/ignition switch		1	163.35
6	3H1558A	Knob, cream		1	31.75
	3H1558	black		1	24.75
7	7H9830	Cylinder w/key		1	13.25
8	811 1283	Key, code cut FA	specify code		16.94
	811 2313	FP	specify code		16.04
9	3H1883	Wiper switch (U)		1	46.59
10	3H2766	Knob, wiper switch		1	32.00

No	Part #	Description	Application	Qty	Price
11	3H3100	Courtesy light switch (U)		1	NCA
12	11G2007	Dip switch		1	81.98
13	11G9122	Gasket		1	8.29
14	3H1894	Stop lamp switch		1	28.44
15	3H2764	Cable assy, heater		1	NCA
16	1G2672	Heater switch assy		1	NCA
	3H2766	Knob, heater switch		1	32.00
17	3H1836	Voltage regulator		1	88.03
18	1G2613	Fusebox		1	94.69
19	7H5067	Fuse, 35A		2	1.88
	7H5540	Fuse, 50A		2	2.00
20	11G9093	Flasher unit		1	33.70



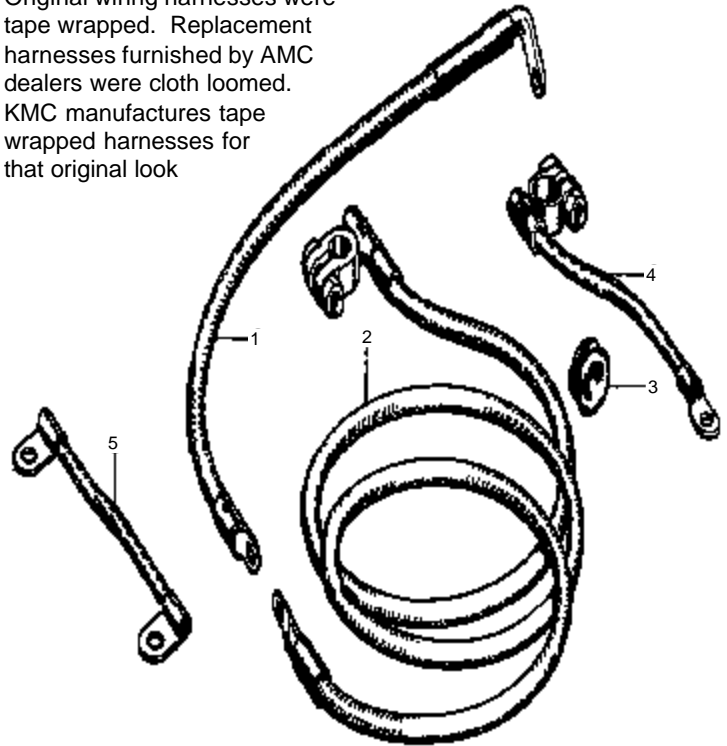
No	Part #	Description	Application	Qty	Price
1	811 0910	Headlamp assy		2	241.70
2	17H5143	Door, headlamp		2	84.40
3	3H2962	Dust excluder		2	8.17
4	17H5205	Retainer		2	20.99
5	3H1893	Headlamp bulb		2	9.26
6	811 1120	Body, headlamp		2	33.58
	14A9422	Grommet, wiring harness/headlamp body		2	10.59
7	3H993	Gasket, headlamp/fender		2	10.84
8	3H3055	Park/signal assy		2	54.03
9	7H5182	Rim		2	11.01
10	AJA5076	Lens		2	17.61
11	1F9026	Bulb		2	1.76
12	37H5476	Body, rubber		2	7.57
13	3H2667	Tail lamp assy (X)		2	235.00
14	3H2823	Screw		2	12.25

No	Part #	Description	Application	Qty	Cost
15	3H2668	Tail lens		2	39.25
16	3H2671	Gasket		2	6.00
17	1F9012	Bulb, signal		2	1.76
	1F9026	Bulb, stop/tail		2	1.76
18	3H2669	Tail bezel		2	32.75
19	573825	Grommet, cable		2	8.95
20	3H2670	Gasket		2	8.78
21	11G9121	License lamp assy		1	155.75
22	17H5207	Cover		1	46.25
23	17H5208	Lens		1	23.75
24	17H5228	Gasket		1	1.16
25	2H4442	Bulb		1	2.85
26	27H5394	Base, license lamp		1	55.00
27	573932	Grommet, cable		1	9.25

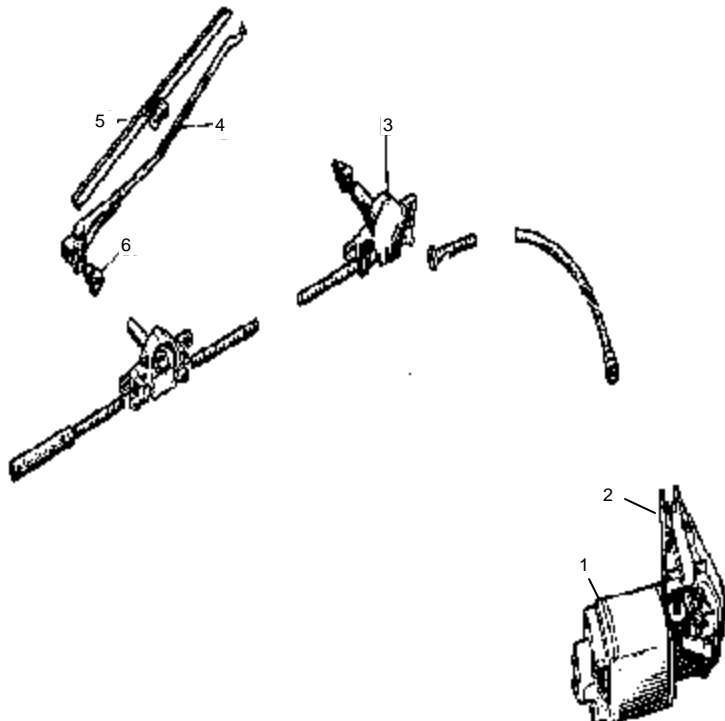


No	Part #	Description	Application	Qty Req	Price Each
1	1B9007	Horn	low note	1	120.40
	1B9008	Horn	high note	1	120.40
2	1G2421	Bracket, RH (U)		1	7.26
	1G2422	Bracket, LH (U)		1	7.26
3	2A6057A	Horn/signal assy (X)	"Nash"	1	199.75
	2A6057	Horn/signal assy (X)	bulls-eye	1	199.75
4	47H5273	Retaining ring		1	46.25
5	811 1450	Horn button	"Nash"	1	56.75
	17H5263	Horn button	bulls-eye	1	54.75
6	330632	Plate, moulding cover support		1	34.00
7	17H5211	Wiring harness		1	48.75
8	2A6058	Stator tube (U)		1	26.62

Original wiring harnesses were tape wrapped. Replacement harnesses furnished by AMC dealers were cloth loomed. KMC manufactures tape wrapped harnesses for that original look



No	Part #	Description	Application	Qty Req	Price Each
1	6K461	Cable, switch/starter		1	39.25
2	1G2577	Cable, battery/switch		1	94.75
3	2H2816	Grommet, battery box		1	5.87
4	1G2576	Cable, battery/ground		1	57.18
5	2K6167	Cable, engine/ground		1	17.73
	5L84	Main harness, eng/dash		1	289.00
	811 1166	Horn harness, horn/horn		1	36.00
	3H2947	Body harness, main/tail		1	94.75
	17H5278	Panel light harness		1	25.75
	811 1167	Headlamp harness		2	19.75
	811 1168	Dip switch harness		1	21.00
	811 LLH1	License lamp harness		1	25.25
	811 STH1	Stop/tail harness		2	19.75
	811 TSH1	Tail/signal harness		2	11.00
	LUC2E	Single connector		A/R	1.40
	LUC4E	Double connector		A/R	1.76
	LUCGC	Ground connector		2	6.36



No	Part #	Description	Application	Qty Req	Price Each
1	14G2404	Wiper motor (X95)		1	195.00
2	27H5465	Gearbox (X25)		1	54.00
3	47H5502A	Wheelbox/cable assy (X25)		1	54.00
4	47H5265	Wiper arm		2	60.32
5	14A9421	Wiper blade		2	18.58
6	14A9422	Grommet		2	11.85