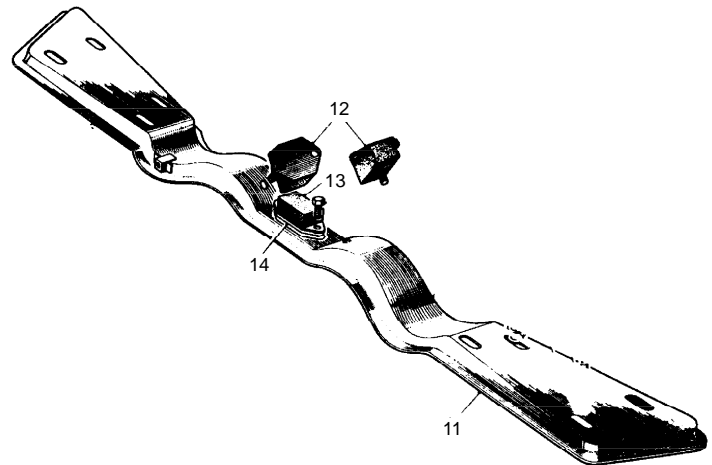
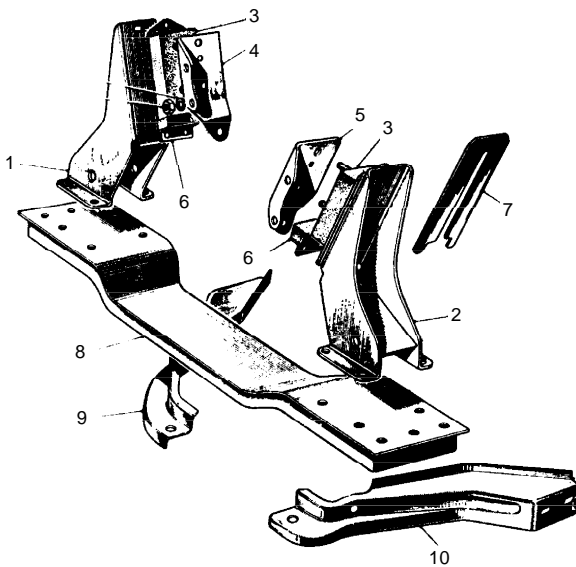


No	Part #	Description	Application	Qty	Cost
1	8G683	Oil filter		1	9.25
2	17H1558	Center bolt	1500	1	17.50
3	17H1556	Seal washer	1500	1	1.65
4	17H1559	Collar (U)	1500	1	6.25
5	1H1053	Body (U)	1500	1	32.00
6	17H1449	Spring	1500	1	12.75
7	17H1448	Washer	1500	1	.95
8	17H1447	Felt washer	1500	1	1.45
9	17H1446	Pressure plate	1500	1	17.85
10	17H1557	Circlip	1500	1	2.10
11	8G619	Gasket	1500	2	2.25
12	1H1052	Adaptor (U)	1500	1	38.00
13	1H1056	Pipe	1500	1	68.35
14	1H922	Adaptor	1500	1	51.00
15	6K501	Washer	1500	2	.85
16	1K2142	Screw, banjo	1500	1	39.45

For engines not equipped with an oil filter assembly, use only non-detergent oil.



No	Part #	Description	Application	Qty Req	Price Each
1	811 0189	Bracket, right (U)	-E11000	1	15.40
	1G2441	Bracket, right (U)	E11001-	1	13.20
2	811 0190	Bracket, left (U)	-E11000	1	15.40
	1G2442	Bracket, left (U)	E11001-	1	13.20
3	811 0187	Engine mount	-E11000	2	51.43
	1G2541	Engine mount	E11001-	2	47.03
4	811 0176	Mount plate, right (U)	-E11000	1	9.90
	1G2663	Mount plate, right (U)	E11001-	1	12.10
5	811 0177	Mount plate, left (U)	-E11000	1	9.90
	1G2664	Mount plate, left (U)	E11001-	1	12.10
6	811 0182	Buffer	-E11000	2	20.35
	1G2543	Buffer	E11001-	2	18.15
7	811 0183	Shim	-E11000	A/R	19.80
	11H118	Shim	E11001-	A/R	17.60

No	Part #	Description	Application	Qty Req	Price Each
8	ALH824	Front crossmember (U)		1	26.40
9	ALH830	Brace, right (U)		1	10.45
10	ALH831	Brace, left (U)		1	10.45
11	811 0193	Rear crossmember (U)	-E11000	1	92.40
	ALH2452	Rear crossmember	E11001-	1	572.00
12	1G9380	Rear mount		2	21.25
13	1A9209	Rebound		1	12.05
14	1A9211	Shim		A/R	12.10

Don't just replace engine mounts. Buffers are also critical in maintaining correct engine alignment.