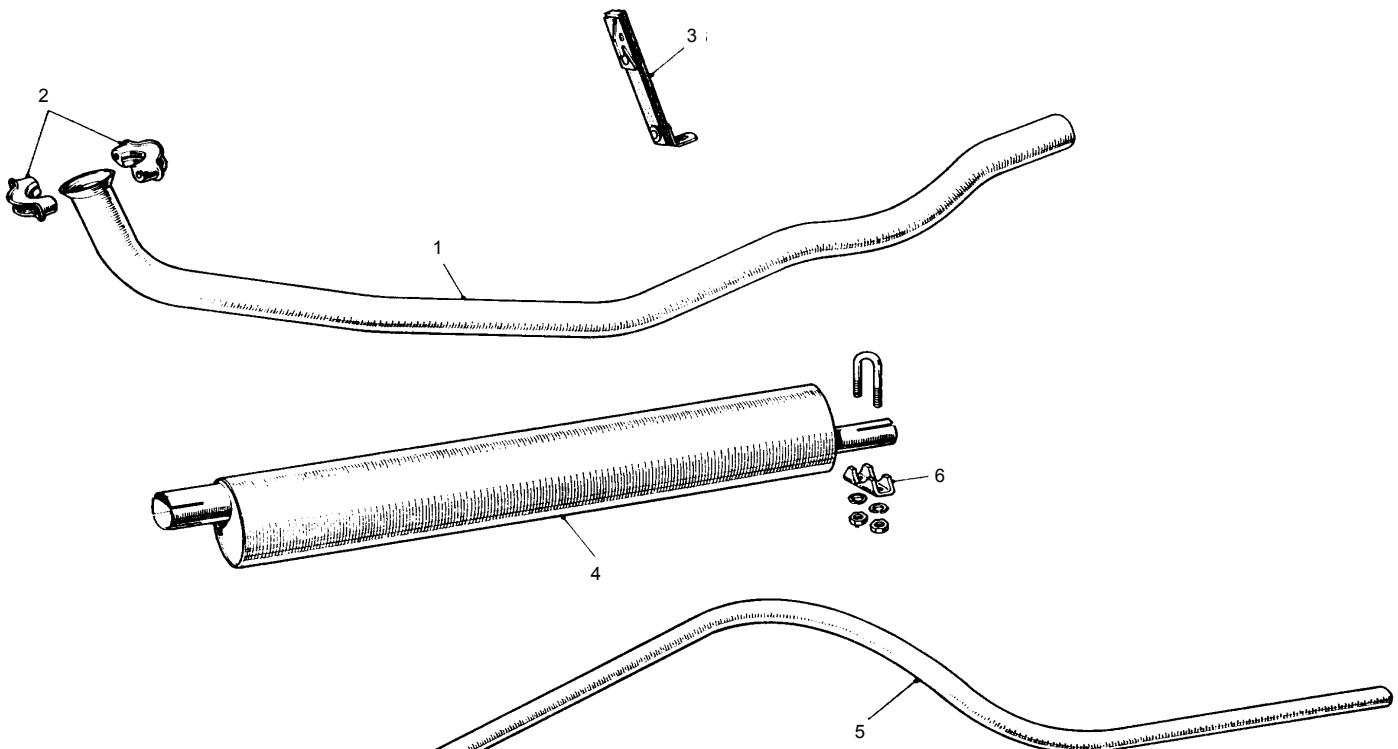


No	Part #	Description	Application	Qty Req	Price Each
1	G4-66	Exhaust manifold (U)	-E11000	1	104.50
	1G2373	Exhaust manifold (U)	E11001-	1	170.50
2	1G2008	Intake manifold (U)	-E11000	1	71.50
	1H910	Intake manifold (U)	E11001-	1	60.50
3	811 1775	Plug (U)	11/16"	1	7.70
	1G1344	Plug (U)	1"	1	7.70
4	1A2100	Gasket	-E11000	1	14.03
	1G2417	Gasket	E11001-	1	5.78
5	1A2096	Hot spot (U)		1	13.75
6	1A2099	Gasket		1	10.84
7	1G2418	Clamp	E11001-	4	3.58
8	1G2573	Gas drain tube		1	31.63
	1G2231	Gasket, manifold/ex pipe	-E11000	1	7.43

Do you drive around with your choke partially pulled out? A missing or damaged gas drain tube will cause your engine to run too lean. Don't just plug the hole with a bolt, it causes the engine to flood out when you shut down.



No	Part #	Description	Application	Qty Req	Price Each
1	811 0201	Exhaust pipe	-E11000	1	126.50
	1G2660	Exhaust pipe	E11001-	1	94.60
2	1G2475	Manifold/pipe clamp assy	E11001-	1	13.04
3	1G2658	Hanger		2	9.74
4	ARH76	Silencer (muffler)		1	104.50
5	1G2220	Tail pipe		1	94.60
6	1G2217	Exhaust clamp assy		4	9.74

Replace all exhaust pipes and the muffler at the same time.