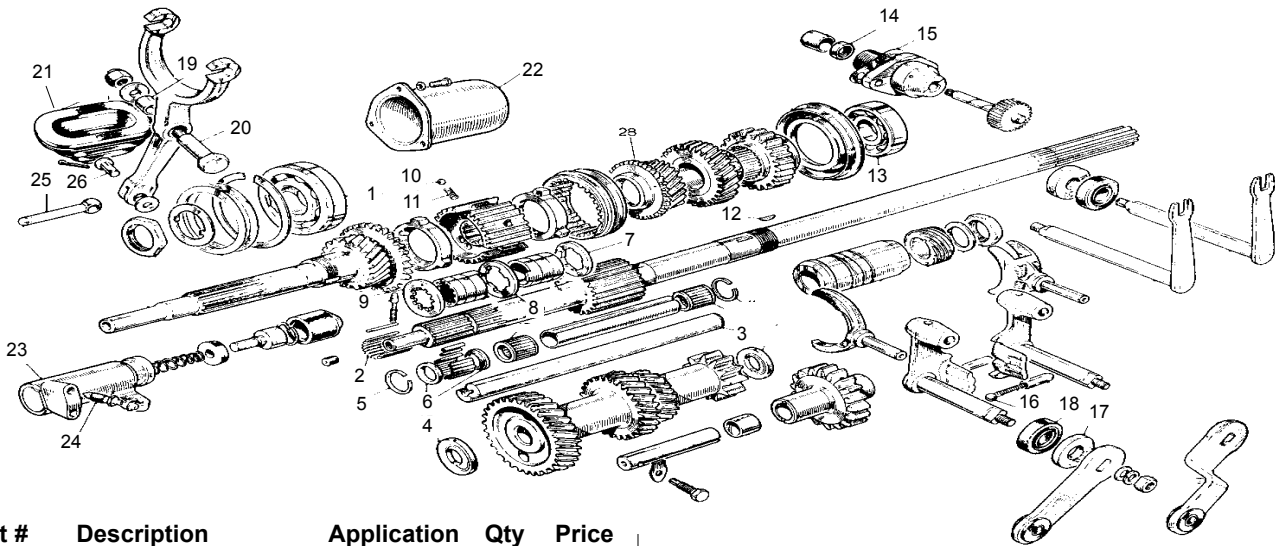


No	Part #	Description	Application	Qty Req	Price Each	No	Part #	Description	Application	Qty Req	Price Each
	811 2907	Gearbox (X295)	-E11000	1	1143.45	3	2K4971	Washer		2	NCA
	811 1804	Gearbox (X95)	E11001-E27904	1	1082.95	4	1G3418	Bushing	E11001-	1	NCA
	811 2257	Gearbox (X95)	E27905-E28705	1	1082.95	5	811 2268	Seal	-E11000 - E28705	1	84.40
	811 2362	Gearbox (X95)	E28706-E59047	1	1082.95		1H3339	Seal	E28706-	1	16.04
	22H10	Gearbox (X95)	E59048-	1	1082.95	6	1H3364	Breather		1	8.17
	TS13643	Gasket set	-E11000	1	31.46	7	1G3802	Level indicator	E11001-	1	91.66
	HJ007	Gasket set	E11001-	1	11.20						
1	6K499	Drain plug	E11001-	1	5.87						
2	1H3138	Oil seal	E59048-	1	6.00						



No	Part #	Description	Application	Qty Req	Price Each	No	Part #	Description	Application	Qty Req	Price Each
1	811 0435	Bearing	-E11000	1	79.26	17	2K8961	Felt ring		2	10.59
	6K885	Bearing	E11001-	1	90.20	18	1B3343	Oil seal		2	21.60
2	6K892	Needle bearing	E11001-	18	2.00	19	11G3195	Bushing	560	1	3.94
3	11G3123	Layshaft	E11001-	1	45.38	20	11G3196	Bolt	560	1	15.31
4	1G3576	Thrust washer	E11001-	1	22.94	21	1G3667	Dust boot	E11001-	1	10.84
5	11G3027	Spring ring	E11001-	1	1.52	22	811 0501	Cover (U)	-E11000	1	21.78
6	3H2865	Needle bearing	E11001-	3	29.65		811 1878	Cover (U)	E11001-E59047	1	19.36
7	1G3492	Thrust washer	E11001-	1	NCA		1H3315	Cover (U)	E59048-	1	19.36
8	1G3331	Lock ring	E11001-	1	20.27	23	811 1875	Slave cylinder	E11001-E59047	1	177.27
9	11G3127	Thrust washer, .1565-75"	E11001-	A/R	6.47		13H296	Slave cylinder	E59048-	1	223.85
10	BLS109	Locating ball		3	1.64		811 2079	Repair kit, slave cylinder		1	13.74
11	6K884	Spring	E11001-	3	4.30	24	7H4973	Bleed screw	E11001-	1	4.54
12	WKN304	Key	E11001-	1	1.21	25	1B3701	Pushrod		1	21.48
13	6K528	Bearing		1	61.05	26	2K5622	Pin	E11001-	1	1.76
14	811 0472	Oil seal	540 8-37 axle	1	20.88						
	2A3254	Oil seal	9-41 axle	1	9.38						
15	811 0474	Gasket	540 8-37 axle	1	5.15						
	811 1868	Gasket	-E28705 9-41	1	5.15						
	11G3228	Gasket	E28706-	1	5.15						
16	BLS109	Ball	E11001-	1	1.64						

Grinding of gears or hard shifting are frequently caused by the use of improper gearbox lubricant. See your owners handbook for lubrication specifications.