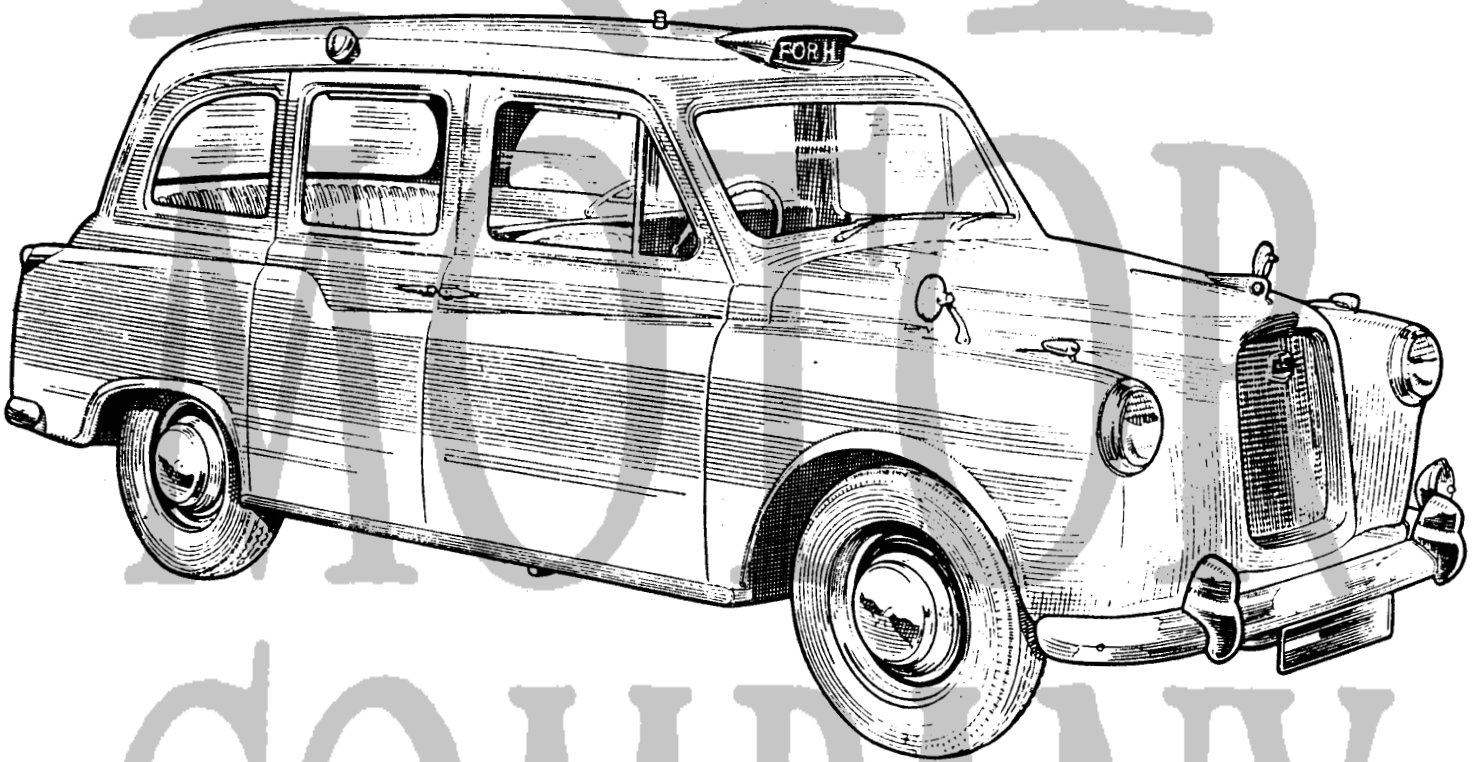


# The London Taxi Book

Mk V



**FX3, FX4 & Beardmore Taxi - FL1 & FL2 Hire Car**

*One Call Does It All!*

*Sales, Service, Restoration & PARTS*

[www.kipmotor.com](http://www.kipmotor.com)

**Kip Motor Company** is a full service antique automobile parts, restoration and repair facility. We perform complete or partial restorations on a wide variety of British automobiles. Our many projects range from show cars to daily drivers.

## Using this Catalog

Parts listed in this catalog are currently available, normally stocked items or those planned for production. The column heading "No" refers to the illustration, "Application" refers to the vehical model, "Qty" represents the number of parts *required* for the car, and "Price" is the cost for each part. Unless otherwise indicated, all items are New or New Old Stock. (X) - indicates rebuilt items sold *exchange only*. Your rebuildable part must be received in exchange before one is shipped. Damaged or disassembled parts may incur a significant surcharge. A number following in the parenthesis indicates items where cores are generally available. The number represents a core charge that will be added to your invoice, *where cores are available*. The core charge is refunded upon receipt of your rebuildable core.

## Ordering by Phone: (888) 243-0440

Our telephone order lines are open:

Monday through Friday . . . . .9:00 a.m. - 6:00 p.m. CST  
Saturday . . . . .9:00 a.m. - 12 noon CST

## Ordering by Secure Shopping Cart

Kip Motor has launced a secure shopping cart so you may order Taxi parts anytime, anywhere at your convenience. Go to [www.kipmotor.com](http://www.kipmotor.com) and click on "secure shop".

## Ordering by Mail, E-mail or Fax

Please include: your name, address, telephone number, make, model and year of car, engine & chassis numbers, ship to address and credit card information. If enclosing check or money order, be sure to enclose sufficient funds to cover shipping charges. Any overage will be refunded. Orders paid by check will be held for two weeks prior to shipping. E-mail address: [sales@kipmotor.com](mailto:sales@kipmotor.com)

## Payments

We accept Visa, Mastercard, American Express or Discover for payment. Please have available your credit card number, expiration date, name and address of card holder and telephone number. COD orders are usually accepted, an additional \$9 fee will be incurred. Air, truck freight and international shipments must be pre-paid.

## Shipping

Orders are shipped ground freight unless otherwise specified. Expedited and air delivery is available at extra cost. Oversize and heavy items are shipped via truck, freight collect. International and

overseas orders may be shipped by post, UPS or other means as required. International customers should indicate their preference at time of order. If your shipment arrives damaged, notify the carrier immediately, before contacting KMC for further instructions.

For orders within the 48 contiguous United States, shipping & handling charges will be added to invoices at the following rates:

Order Total	Shipping & Handling
\$ .00 - 20.00	\$9.00
20.01 - 50.00	12.00
50.01 - 75.00	15.00
75.01 - 100.00	20.00
100.01 - 150.00	25.00
150.01 - 250.00	29.00
250.01 - 350.00	33.00
350.01 - 500.00	36.00
500.01 - 1,000.00	39.00
1,000.01 +	FREE GROUND SHIPPING

Shipping charges to other areas will vary accordingly.

## Returns

Returns are accepted for full refund or exchange up to 90 days from date of purchase (shipment). Returns are accepted for exchange only, up to 180 days from date of purchase (shipment). Special orders and returns exceeding the listed limits may or may not be accepted, with or without a restocking fee, at the discretion of KMC. Returns must be accompanied by a copy of the original invoice. Include a note indicating the reason for return. All items must be in the same condition as shipped. **Items cut, fitted, painted, etc., will not be accepted.**

## Backorders

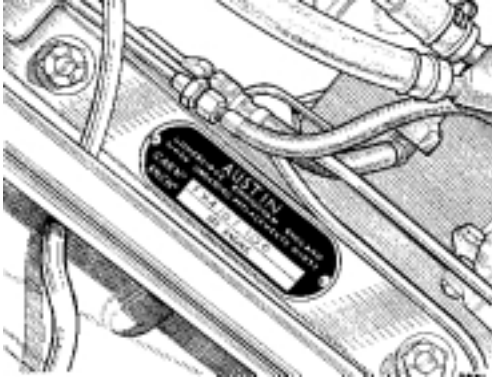
We normally stock all items in our price list. From time to time some items may be temporarily out-of-stock or no longer available. These items will be indicated as backordered on your invoice. In most cases, backordered items will ship within one to two weeks. Occasionally, certain items take longer like windshield rubber. Any back-ordered item not shipped within 60 days of the original order will be automatically dropped unless specifically requested otherwise.

## Warranty

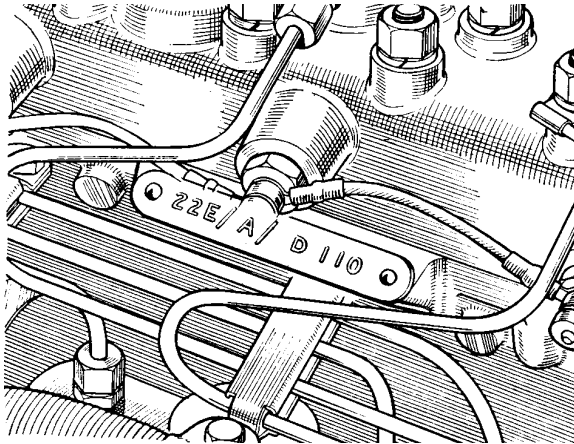
All parts are warranted against defects in material and workmanship for a period of one year from date of shipment. If a part fails in service, it will be exchanged for a similar part whenever available. This warranty covers only the part and does not include labor or failure of a related component. In no case would the liability of KMC exceed the cost of the original part.

© Copyright 2011 - Kip Motor Company, Inc.

All rights reserved. No part of this publication may be copied, reproduced, stored in any retrieval system, communicated or transmitted in any form or means without the express written permission of Kip Motor Company, Inc .



The **Car (chassis) Number** is stamped on a plate secured to the right-hand side of the firewall or chassis member beneath the bonnet.



The **Engine Number** is stamped on a plate secured to the right-hand side of the cylinder block (except Beardmore).

Brakes	9
Bumpers	14
Clutch	7
Cooling	7
Electrical	11-13
Engine	3-5
Engine mounts	7
Filters	6
Front suspension	8
Fuel system	6
Gauges	13
Gearbox	7
Glass	14
Headlinings	14
Ignition	11
Interiors	14
Lighting	12
Manuals	14
Rear axle	10
Rear springs	10
Rubber	14
Shifting	7
Shock absorbers	8
Steering	8
Switches	13
Trim	14
U-joints	10
Wiring	14

## Special Notes

This catalog applies specifically to the following RHD (right hand drive) vehicles:

FX3	Petrol engined taxi with manual gearbox
FX3D	Diesel engined 2.2 litre taxi with manual gearbox
FX4	Petrol engined taxi with manual gearbox
FX4D	Diesel engined 2.2 litre taxi with manual gearbox
Beardmore	Ford EOTA, 204E or 211E petrol engined taxi

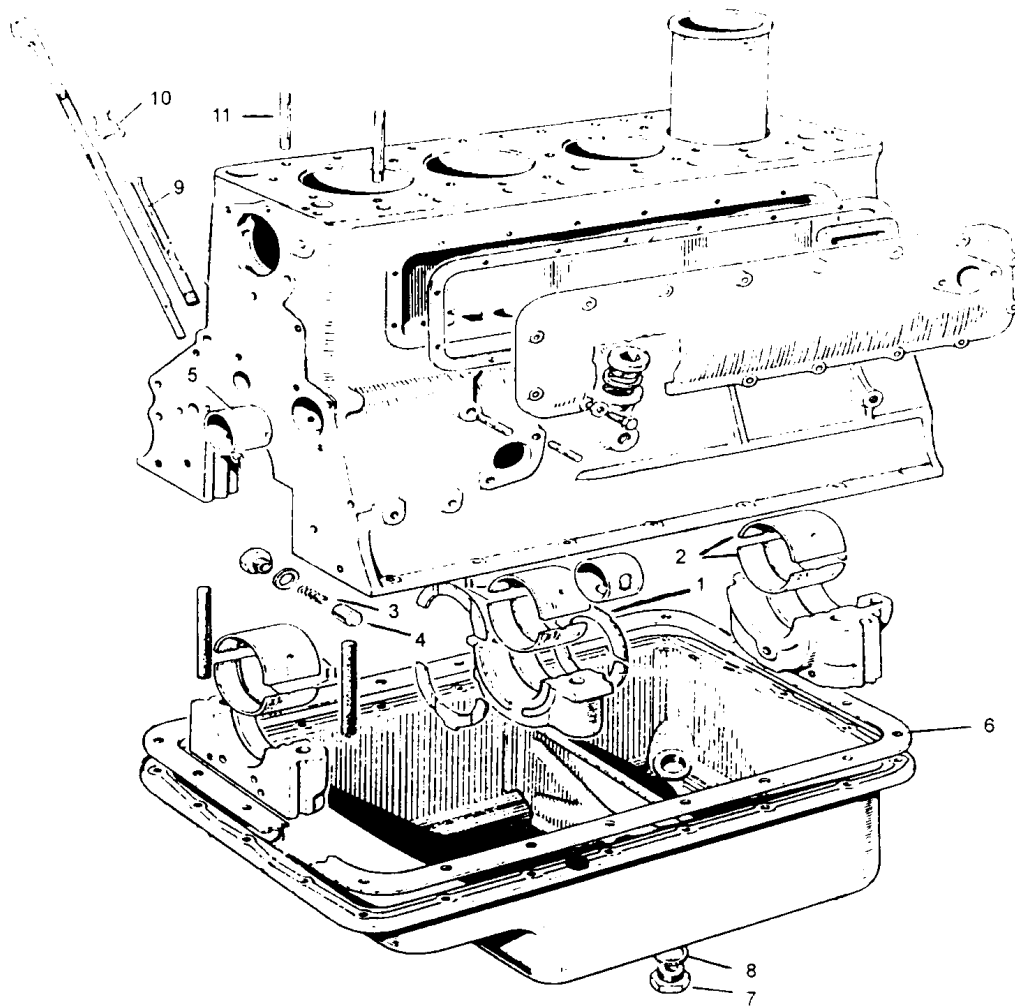
You MUST inform the salesperson when placing an order for any of the following types of vehicles (parts for which are available, but not necessarily interchangeable):

FL1 or FL1D	Petrol or diesel engined hire car
FL2 or FL2D	Petrol or diesel engined hire car
Winchester	Petrol engined taxi
Any LHD (left hand drive) vehicle	
Any Perkins diesel engined vehicle	
Any vehicle fitted with automatic gearbox (transmission)	
Any vehicle fitted with 2.5 litre BMC, Rover or Nissan engine	

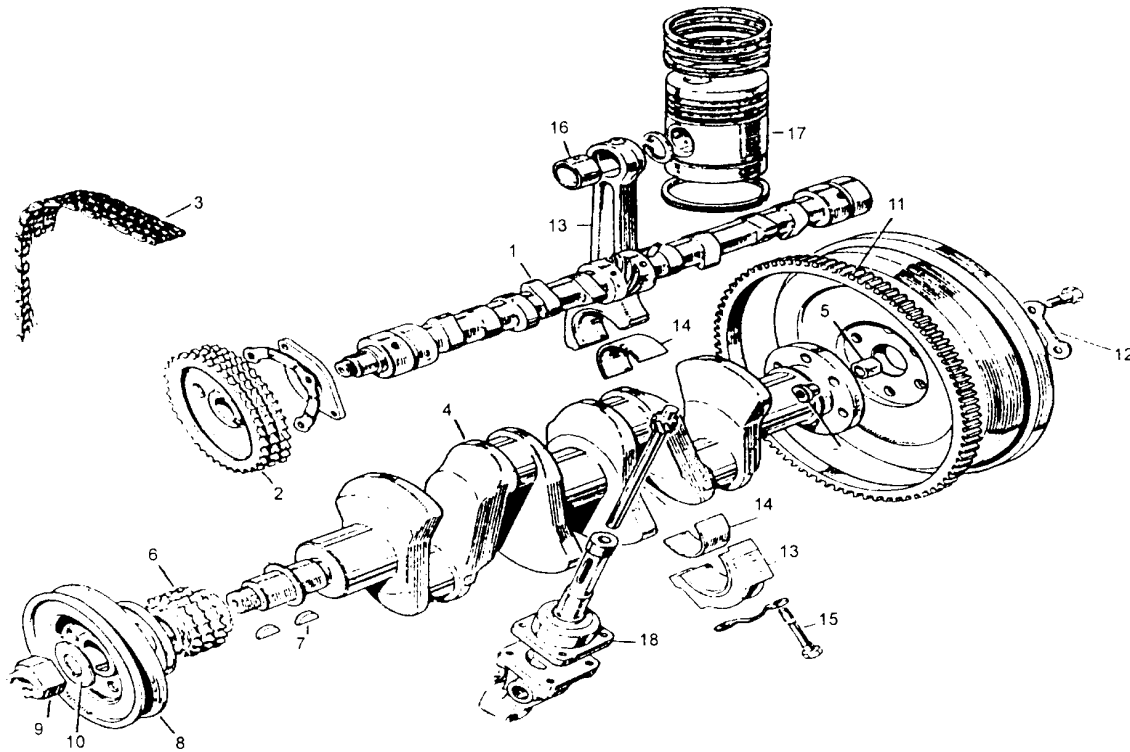
Due to the nature of their original service and comparatively high mileage in commercial use, most surviving taxis are actually a conglomeration of components from many different vehicles. Although we will make great efforts to provide the proper part for your vehicle, don't despair if the one you receive doesn't look anything like the part found on your vehicle. Such is the lot of the taxi owner. At times great patience may be required.

## Product Range

Many of the items listed in this catalog are manufactured by KMC. New products are continually under development and stocks of NOS parts arrive daily. If you do not see the item you require listed in this catalog, please do not hesitate to ask. For the most up to date information on new products, specials, vehicles for sale and current catalogs, check out our web site [www.kipmotor.com](http://www.kipmotor.com).

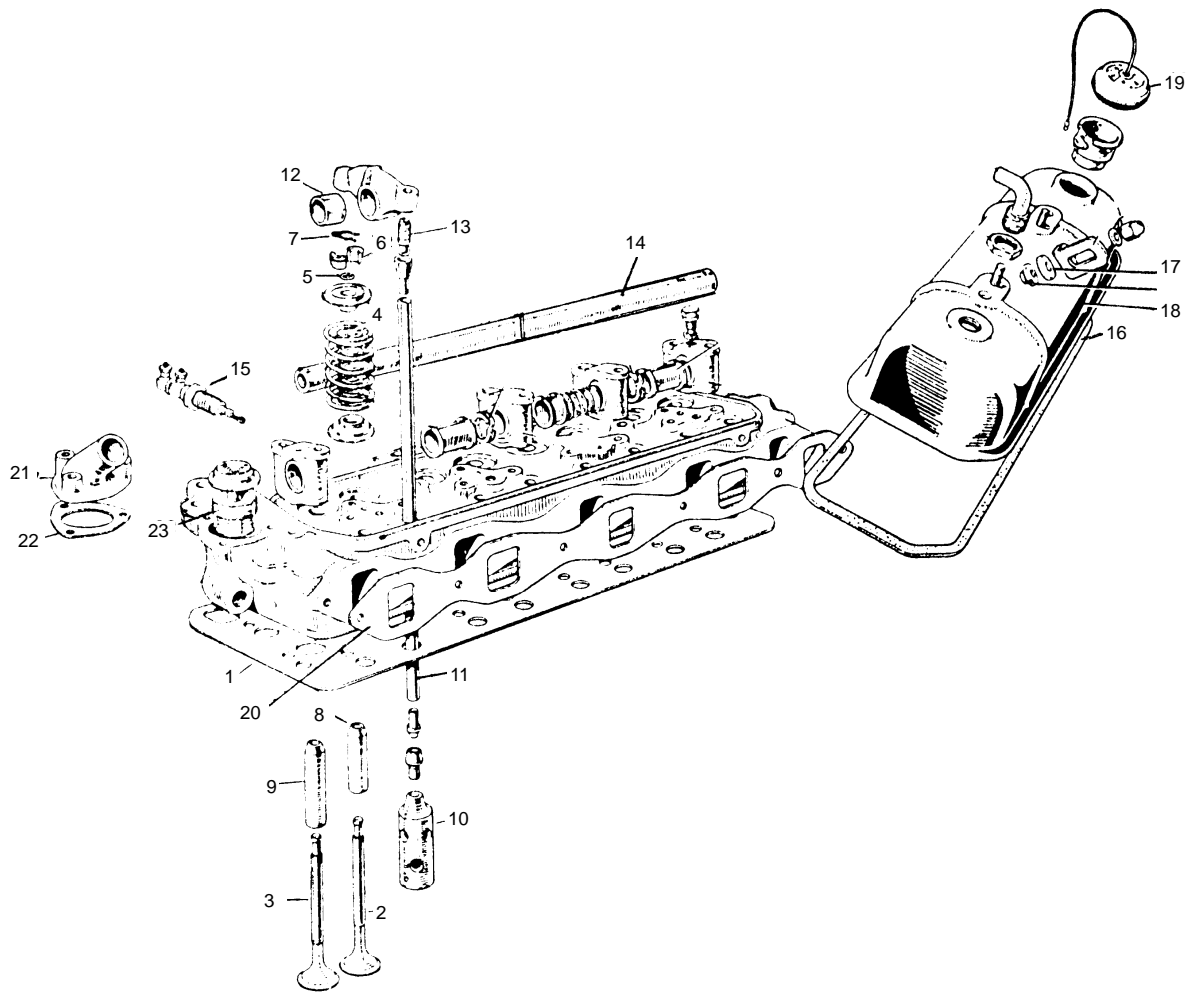


No	Part #	Description	Application	Qty	Price	No	Part #	Description	Application	Qty	Price
				Req	Each					Req	Each
	58G454	Head gasket set	FX3/4 petrol	1	175.45		EOTA-6333D	0.04			204.49
	58G445	Head gasket set	FX3/4 diesel	1	211.75		EOTA-6333E	0.05			204.49
	E23-Z-2	Head gasket set	Beardmore EOTA	1	139.15		EOTA-6333F	0.06			204.49
	CE881	Head gasket set	BD 204/211E	1	187.55		204E-6333	Main bearing set, std	BD 204/211E	1	192.39
	58G449	Conversion set	FX3/4 petrol	1	111.32		204E-6333A	0.01			192.39
	58G448	Conversion set	FX3/4 diesel	1	152.46		204E-6333B	0.02			192.39
	EB790	Conversion set	Beardmore EOTA	1	139.15		204E-6333C	0.03			192.39
	EE891	Conversion set	BD 204/211E	1	146.41		204E-6333D	0.04			192.39
	SRB21	Engine assy, rebuilt (X)	FX3/4 petrol	1	7,713.75		204E-6333E	0.05			192.39
	8G280	Engine assy, rebuilt (X)	FX3/4 diesel	1	6,999.85		204E-6333F	0.06			192.39
	EOTA-6010	Engine assy, rebuilt (X)	Beardmore EOTA	1	6,201.25	3	2K7695	Spring, pressure relief valve	FX3/4	1	10.59
	204E-6010	Engine assy, rebuilt (X)	Beardmore 204E	1	6,140.75	4	1G1452	Valve, pressure relief	FX3/4	1	13.74
	211E-6010	Engine assy, rebuilt (X)	Beardmore 211E	1	6,080.25	5	8G2214	Cam bearing set	FX3/4	1	154.88
					0.00		EOTA-6262	Cam bearing set	Beardmore	1	154.88
1	1D943	Thrust washer set	FX3/4 petrol	1	33.88	6	1B1123	Gasket, sump	FX3/4 petrol	1	29.95
	11B37	Thrust washer set	FX3/4 diesel	1	200.20		EOTA-6710	Gasket set, sump	Beardmore	1	74.42
	EOTA-6308	Thrust washer set	Beardmore EOTA	1	75.02	7	2H4685	Plug, sump	FX3/4	1	25.41
	204E-6308	Thrust washer set	BD 204/211E	1	22.69	8	6K638	Washer, sump plug	FX3/4	1	0.91
2	8G2058	Main bearing set, std	FX3/4 petrol	1	116.16	9	11B455	Tube, oil level	FX3/4	1	14.83
	8G205810	0.01			116.16	10	1B1735	Dust cap	All	1	3.94
	8G205820	0.02			116.16	11	51K3483	Stud, cylinder head	FX3/4 petrol	11	10.23
	8G205830	0.03			116.16		2K6995	Nut, cylinder head stud	FX3/4 petrol	11	4.24
	8G2218	Main bearing set	FX3/4 diesel	1	260.15		EP1	Engine paint, aerosol (green)	FX3/4	1	27.23
	8G221810	0.01			260.15		2K8169	Welch plug	FX3/4	5	1.52
	8G221820	0.02			260.15		2K8170	Welch plug, side	FX3/4 petrol	1	3.33
	8G221830	0.03			260.15		2K8160	Welch plug, rear	FX3/4 petrol	1	1.16
	8G221840	0.04			260.15						
2	EOTA-6333	Main bearing set, std	Beardmore EOTA	1	204.49						
	EOTA-6333A	0.01			204.49						
	EOTA-6333B	0.02			204.49						
	EOTA-6333C	0.03			204.49						

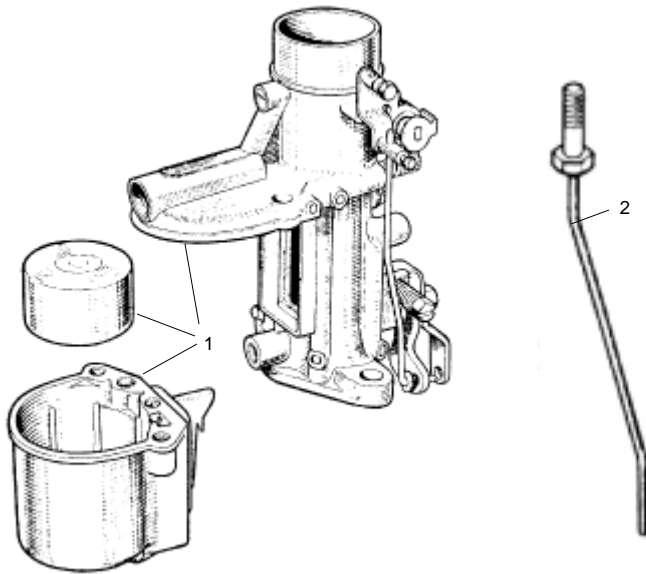


No	Part #	Description	Application	Qty Req	Price Each	No	Part #	Description	Application	Qty Req	Price Each
1	1B1573	Camshaft (X)	FX3/4 petrol	1	119.79	14	204E-6211	Rod bearing set, std	Beardmore 204E	1	118.58
	11B82	Camshaft (X)	FX3/4 diesel	1	119.79		204E-6211A	0.01			118.58
	EOTA-6250	Camshaft (X)	Beardmore	1	119.79		204E-6211B	0.02			118.58
2	1B2855	Gear, camshaft - duplex	FX3/4 petrol	1	300.08		204E-6211C	0.03			118.58
3	1F1525	Timing chain - duplex	FX3/4 petrol	1	26.62		204E-6211D	0.04			118.58
	11B371	Timing chain - triplex	FX3/4 diesel	1	152.46		211E-6211	Rod bearing set, std	Beardmore 211E	1	118.58
	E93A-6270	Timing chain - duplex	Beardmore	1	18.76		211E-6211A	0.01			118.58
	8G528	Tensioner ring - rubber	FX3/4 petrol	1	7.08		211E-6211B	0.02			118.58
4	11B345	Crankshaft (X)	FX3/4 petrol	1	199.65		211E-6211C	0.03			118.58
	11B588	Crankshaft (X)	FX3/4 diesel	1	199.65		211E-6211D	0.04			118.58
	EOTA-6303	Crankshaft (X)	Beardmore EOTA	1	199.65	15	11K424	Bolt, connecting rod	FX3/4 petrol	8	42.66
	204E-6303	Crankshaft (X)	Beardmore 204E	1	199.65		1K2811	Nut, connecting rod bolt	FX3/4 petrol	8	2.12
	211E-6303	Crankshaft (X)	Beardmore 211E	1	199.65	16	11B68	Bush, piston pin	FX3/4 diesel	set	58.08
5	1K369	Pilot bush	FX3/4	1	13.62	17	8G681	Piston set w/rings, std	FX3/4 petrol	1	792.55
6	1F1523	Gear, crankshaft - duplex	FX3/4 petrol	1	116.16		8G68110	0.01			792.55
7	2K5578	Key	FX3/4	2	1.76		8G68120	0.02			792.55
8	1B1057	Pulley, crankshaft	FX3/4 petrol	1	300.08		8G68130	0.03			792.55
9	1B1061	Starting jaw	FX3/4	1	76.23		8G68140	0.04			792.55
10	2H731	Lockwasher	FX3/4	1	7.87		11F20	Piston set w/rings, std	FX3/4 diesel	1	1,119.25
11	1B1714	Ring gear	FX3/4 petrol	1	102.85		11F2020	0.02			1,119.25
	11B644	Ring gear	FX3/4 diesel	1	332.75		11F2040	0.04			1,119.25
	EOTA-6384	Ring gear	Beardmore	1	211.75		EOTA-6110	Piston set w/rings, std	Beardmore EOTA	1	683.65
12	2K7552	Lockplate	FX3/4 petrol	2	4.24		EOTA-6110A	0.01			683.65
13	1B2921	Connecting rod	FX3/4 petrol	4	526.35		EOTA-6110B	0.02			683.65
14	8G2051	Rod brng set, std	FX3/4 petrol	1	93.17		EOTA-6110C	0.03			840.95
	8G205110	0.01			93.17		EOTA-6110D	0.04			840.95
	8G205120	0.02			93.17		EOTA-6110F	0.06			840.95
	8G205130	0.03			93.17		204E-6110	Piston set w/rings, std	BD 204/211E	1	949.85
	8G205140	0.04			93.17		204E-6110A	0.01			949.85
	8G205150	0.05			223.85		204E-6110B	0.02			949.85
	8G205160	0.06			223.85		204E-6110D	0.04			949.85
	8G2219	Rod brng set, std	FX3/4 diesel	1	272.25		204E-6110F	0.06			949.85
	8G221910	0.01			272.25	18	1B1546	Oil pump	FX3/4 petrol	1	961.95
	8G221920	0.02			272.25		11B94	Oil pump (X)	FX3/4 diesel	1	417.45
	8G221930	0.03			272.25		EOTA-6600	Oil pump (X)	Beardmore EOTA	1	417.45
	8G221940	0.04			272.25		204E-6600	Oil pump (X)	BD 204/211E	1	417.45
	8G221950	0.05			272.25						
	EOTA-6211	Rod bearing set, std	Beardmore EOTA	1	199.65						
	EOTA-6211A	0.01			199.65						
	EOTA-6211B	0.02			199.65						
	EOTA-6211C	0.03			199.65						
	EOTA-6211D	0.04			199.65						

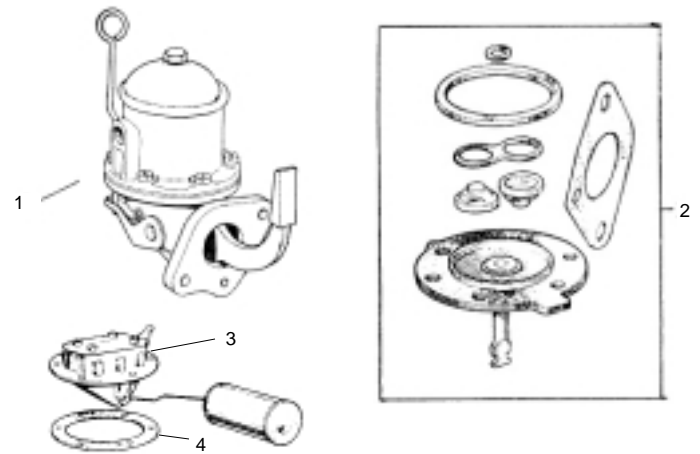
Please call to confirm availability in desired sizes prior to machining.



No	Part #	Description	Application	Qty Req	Price Each	No	Part #	Description	Application	Qty Req	Price Each
	B3-526	Cylinder head assy (X)	FX3/4 petrol	1	913.55	10	1B1354	Tappet	FX3/4	8	36.12
	58G434	Cylinder head assy (X)	FX3/4 diesel	1	913.55		EOTA-6489	Tappet (X)	Beardmore	8	23.60
	EOTA-6085	Cylinder head assy (X)	Beardmore EOTA	1	913.55	11	1B2331	Push rod	FX3/4 petrol	8	22.09
	204E-6085	Cylinder head assy (X)	Beardmore 204E	1	913.55	12	11B511	Bush, valve rocker	FX3/4	8	10.59
	211E-6085	Cylinder head assy (X)	Beardmore 211E	1	913.55	13	8G552	Adjusting screw	FX3/4	8	31.46
	11B22	Pre-combustion chamber	BMC 2.2 diesel	4	235.95	14	B3-347	Rocker shaft	FX3/4 petrol	1	92.57
	62B14	Pre-combustion chamber	BMC 2.5 diesel	4	235.95	15	3H2603	Spark plug	FX3/4 petrol	4	4.42
1	11B321	Head gasket	FX3/4 petrol	1	139.15		11B435	Glow plug	FX3/4 2.2 BMC diesel	4	75.02
	11B23	Head gasket	FX3/4 diesel	1	139.15		88G443	Glow plug	FX3/4 2.5 BMC diesel	4	75.02
	EOTA-6051	Head gasket	Beardmore EOTA	1	62.92		EOTA-12405	Spark plug	Beardmore	4	4.42
	204E-6051	Head gasket	BD 204/211E	1	130.68	16	1B1247	Valve cover gasket	FX3/4	1	14.22
2	1B1805	Valve, inlet	FX3/4	4	41.14		EOTA-6484	Valve cover gasket	Beardmore EOTA	1	21.18
	EOTA-6507	Valve, inlet	BD EOTA/204E	4	35.09		204E-6584	Valve cover gasket	BD 204/211E	1	19.06
	211E-6507	Valve, inlet	Beardmore 211E	4	41.14	17	1A2156	Washer	FX3/4	2	1.64
3	1B1806	Valve, exhaust	FX3/4 petrol	4	22.99	18	8K515	Bushing - rubber	FX3/4	2	1.16
	11B117	Valve, exhaust	FX3/4 diesel	4	45.98	19	8G612	Cap & cable	FX3/4	1	25.41
	EOTA-6505	Valve, exhaust	BD EOTA/204E	4	35.09	20	1B1378	Manifold gasket	FX3/4 petrol	1	12.05
	211E-6506	Valve, exhaust	Beardmore 211E	4	43.56		1B1369	Yoke (clamp)	FX3/4	4	6.36
4	1B2814	Spring set	FX3/4 petrol	1	111.32		2K3496	Stud, manifold/head (inside)	FX3/4 petrol	4	2.97
	11B404	Spring set - NCA	FX3/4 diesel	1	NCA		2K3494	Stud, manifold/head (outside)	FX3/4 petrol	2	2.24
	EOTA-6513	Spring set	Beardmore	1	82.28	21	11B287	Housing, thermostat	FX3/4 diesel	1	114.95
5	11B1479	Seal - rubber	FX3/4	8	6.96	22	1B1065	Gasket, thermostat	FX3/4 petrol	1	5.87
6	1K800	Cotter	FX3/4	16	17.85		11B288	Gasket, thermostat	FX3/4 diesel	1	1.52
7	1K372	Circlip	FX3/4	8	2.73		E1-8587	Gasket, thermostat	Beardmore	1	6.36
8	1B1807	Guide, intake	FX3/4	4	8.47	23	3H1636	Thermostat (160°)	All petrol	1	9.99
	100E-6510	Guide, intake & exhaust	Beardmore EOTA	4	4.54		11G291	Thermostat (180°)	All	1	9.99
9	1F1321	Guide, exhaust	FX3/4 petrol	4	8.47		H7-148	Thermostat (190°)	All	1	9.99
	11B20	Guide, exhaust	FX3/4 diesel	4	25.41						

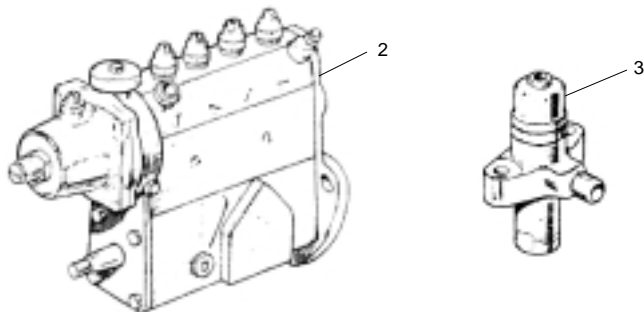
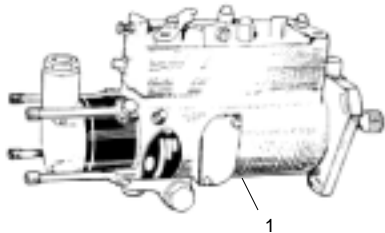


No	Part #	Description	Application	Qty Req	Price Each
11	30VM	Carburettor (X175)	FX3/4 petrol	1	254.10
	42VI	Carburettor (X)	FL1/2 petrol	1	308.55
	30VIG	Carburettor (X175)	Beardmore	1	272.25
	34WIA	Carburettor (X175)	Beardmore	1	308.55
	34VN	Carburettor (X95)	Beardmore	1	296.45
	36VN	Carburettor (X)	Beardmore	1	296.45
	ZE-2K	Repair kit	30VM, 30VIG	1	46.89
	ZE-5K	Repair kit	34WIA	1	78.96
	ZE-7K	Repair kit	34VN, 36VN	1	39.03
	2	1B2268	Fuel drain tube	FX4 petrol	1
2H4851		Choke cable assy	FX3/4 petrol	1	91.96
BD119		Choke cable assy	Beardmore	1	91.96

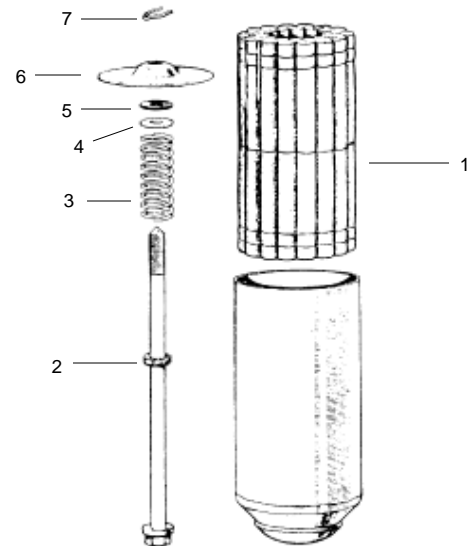


No	Part #	Description	Application	Qty Req	Price Each
1	11B150	Fuel pump (X75)	FX3/4	1	133.10
	EOTA-9350	Fuel pump (X75)	Beardmore EOTA *	1	199.65
	204E-9350	Fuel pump (X75)	Beardmore 204E *	1	199.65
	211E-9350	Fuel pump (X75)	Beardmore 211E	1	133.10
2	8G2039	Repair kit	FX3/4 & 211E	1	36.00
	E38-Z-2	Repair kit	EOTA & 204E *	1	119.49
3	3H1603	Tank unit	FX3	1	131.84
	11B2420	Tank unit	FX4	1	131.84
4	2H1082	Gasket	FX3/4	1	2.12
	1G1419	Fuel filler cap	FX3	1	107.69
	11B2407	Fuel filler cap	FX4	1	21.60
	7H9231	Fuel filler grommet	FX3	1	36.00
	AKG1076	Fuel filler grommet	FX4	1	34.79
	AHB8944	Throttle shaft bearing (brass & rubber)	FX3/4	1	11.80

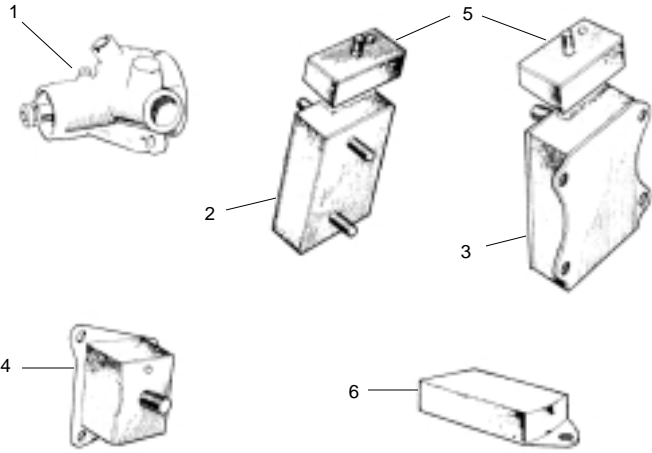
\* For vehicles fitted w/vacuum windshield wipers and combined fuel/vacuum pump.



No	Part #	Description	Application	Qty Req	Price Each
1	12B357	Injector pump, rotary (X200)	FX4 diesel	1	1,482.25
2	12B106	Injector pump, in-line (X200)	FX3/4 diesel	1	1,482.25
3	17H9196	Injector (X75)	FX3/4 diesel	4	199.65
	21B98	Stop control cable assy	FX3/4 diesel	1	187.55



No	Part #	Description	Application	Qty Req	Price Each
1	48G171	Oil filter element	FX3/4	1	11.80
	EOTA-6714	Oil filter element	Beardmore	1	22.69
2	17H1556	Seal washer	FX3/4	1	2.00
3	17H1449	Spring	FX3/4	1	15.43
4	17H1448	Washer	FX3/4	1	1.16
5	17H1447	Felt washer	FX3/4	1	1.76
6	17H1446	Pressure plate	FX3/4	1	21.60
7	17H1557	Circlip	FX3/4	1	2.54
	7H1835	Fuel filter	FX3/4 diesel	1	23.90



## COOLING

No	Part #	Description	Application	Qty	Price
1	10K44	Water pump (X45)	FX3/4 petrol	1	211.75
	11B538	Water pump, keyed hub (X95)	FX3/4 diesel	1	284.35
	12B2438	Water pump, press hub (X35)	FX3/4 diesel	1	187.55
	EOTA-8501	Water pump (X95)	Beardmore EOTA	1	211.75
	204E-8501	Water pump (X95)	BD 204/211E	1	211.75
	1E761	Fan, 4 blade	FX3/4	1	248.05
	2H4238	Fan belt, 3/4"	FX3/4 petrol	1	37.51
	12B307	Fan belt, 3/8"	FX3/4 diesel	1	13.31
	204E-8620	Fan belt, 3/8"	Beardmore	1	36.00
	21D1	Radiator hose, upper	FX3/4	1	20.88
	204E-8260	Radiator hose, upper	Beardmore	1	42.05
	21B1412	Radiator hose, lower	FX3/4	1	41.14
	RH1	Radiator hose, lower	Beardmore	1	50.82
	HCS1217	Hose clamp	FX3/4	4	4.06
	1G1172	Radiator cap	FX3/4	1	83.49
	3H2665	Radiator cap	Beardmore	1	9.99

## MOUNTS

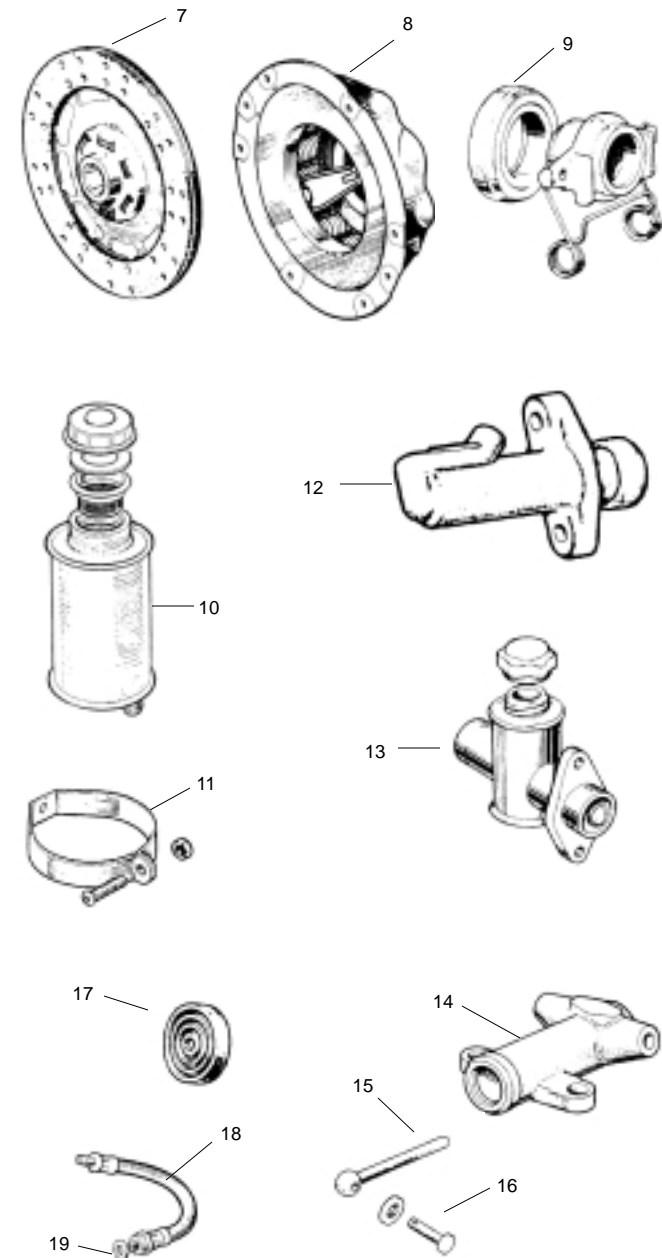
No	Part #	Description	Application	Qty	Price
2	2	ACB9407	Engine mount, front	FX3(all), FX4	
petrol	2	32.49			
3	21B264	Engine mount, front (X45)	FX4 diesel	2	78.65
	EOTA-6038	Engine mount, front (X55)	Beardmore	2	78.65
	1H5137	Engine mount, rear (X35)	FX3	2	65.34
4	11B5669	Engine mount, rear right (X55)	FX4	1	65.34
	11B5671	Engine mount, rear left (X55)	FX4	1	65.34
	EOTA-6068	Engine mount, rear (X35)	Beardmore	1	78.65
5	21B95	Buffer	FX3/4	2	16.94

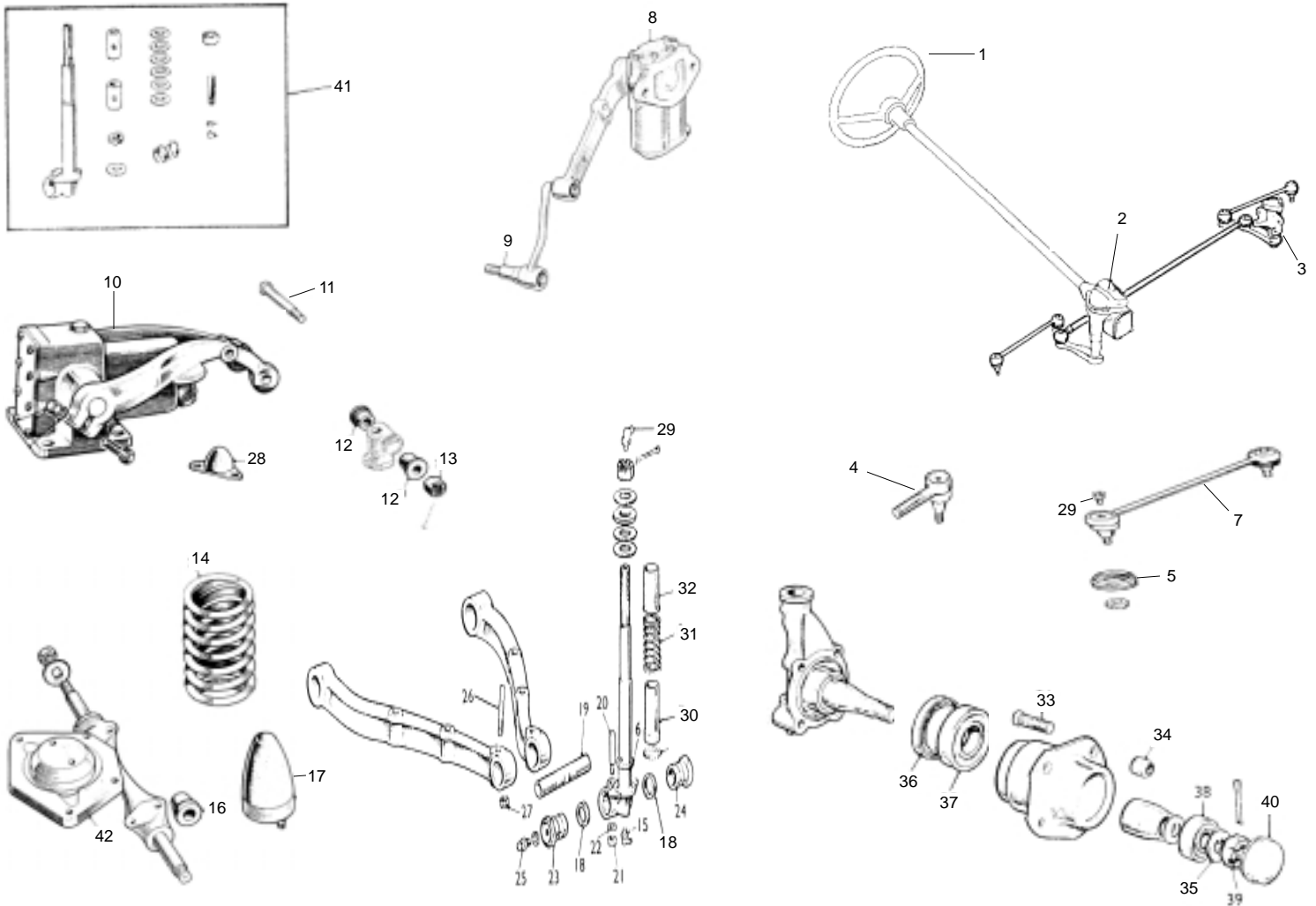
## GEARBOX & CLUTCH

No	Part #	Description	Application	Qty	Price
	22B440	Gearbox, automatic (X)	FX4	1	1,694.00
	22H2619	Torque converter (X)	FX4	1	514.25
	58G404	Gearbox, manual (X)	FX3	1	1,573.00
	1F7353	Oil seal, rear	FX3	1	36.00
	58G533	Gearbox, manual (X)	FX4	1	1,573.00
	97H714	Oil seal, front	FX4	1	68.97
	10K3286	Oil seal, rear	FX4	1	39.93
	2A3254	Oil seal, speedometer gear	FX4	1	9.38
	204E-7000	Gearbox, manual (X)	Beardmore	1	1,573.00
	204E-7657	Oil seal, rear	Beardmore	1	68.97
	E0A-7288	Oil seal, gearshift	Beardmore	2	62.92
	2A3169	Rubber bush, gearshift assy	Beardmore	4	11.80
7	22B15	Clutch plate (X75)	FX3/4 petrol	1	114.95
	7H3234	Clutch plate (X85)	FX3/4 diesel	1	133.10
	EOTA-7550	Clutch plate (X85)	Beardmore EOTA	1	133.10
	204E-7550	Clutch plate (X50)	Beardmore 204E	1	90.75
	211E-7550	Clutch plate (X95)	Beardmore 211E	1	133.10
8	13H3190	Clutch cover assy (X125)	FX3/4 petrol	1	163.35
	27H3220	Clutch cover assy (X145)	FX3/4 diesel	1	163.35
	EOTA-7563	Clutch cover assy (X100)	Beardmore EOTA	1	133.10
	204E-7563	Clutch cover assy (X100)	Beardmore 204E	1	133.10
	211E-7563	Clutch cover assy (X100)	Beardmore 211E	1	133.10
9	97H729	Release bearing	FX4	1	55.66
	E74-7580	Release bearing	Beardmore	1	71.39

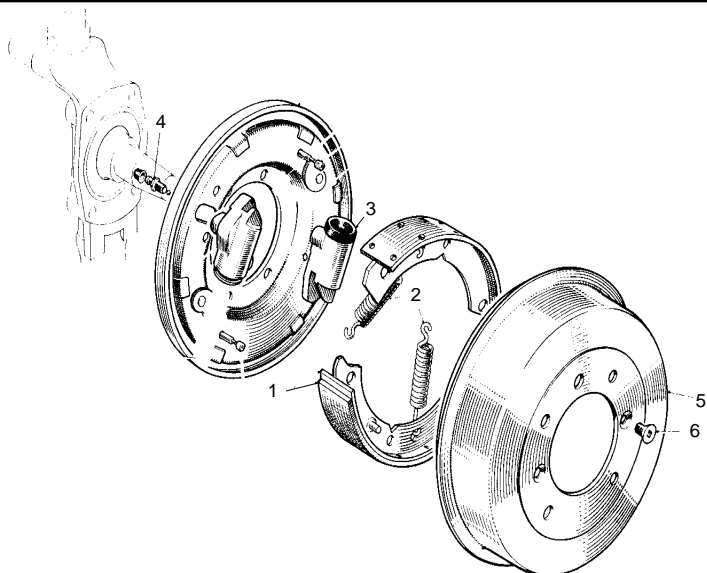
## CLUTCH HYDRAULICS

No	Part #	Description	Application	Qty	Price
10	21B118	Supply tank, single	FX4	1	105.27
11	13H297	Clip assy	FX4	1	23.90
12	13H2588	Master cylinder	FX4	1	179.69
	8G8810	Repair kit	FX4	1	23.90
13	204E-2140	Master cylinder	Beardmore	1	405.35
	E9-FB-1	Repair kit	Beardmore	1	23.90
14	BHA4112	Slave cylinder	FX4	1	144.60
	8G8249	Repair kit	FX4	1	14.22
	E84-GD-2	Slave cylinder	Beardmore	1	163.35
	E87-GD-2	Repair kit	Beardmore	1	39.03
15	22B65	Pushrod	FX4	1	25.72
16	CLZ0516	Clevis pin	FX4	1	1.76
17	1B5054	Pedal pad, brake/clutch	FX3/4	2	23.90
	E0A-2454	Pedal pad, brake/clutch	Beardmore	2	23.90
18	11B5086	Hose	FX4	1	31.16
	E118-GD-5	Hose	Beardmore	1	47.50
19	3H2287	Washer, copper	All	A/R	1.16



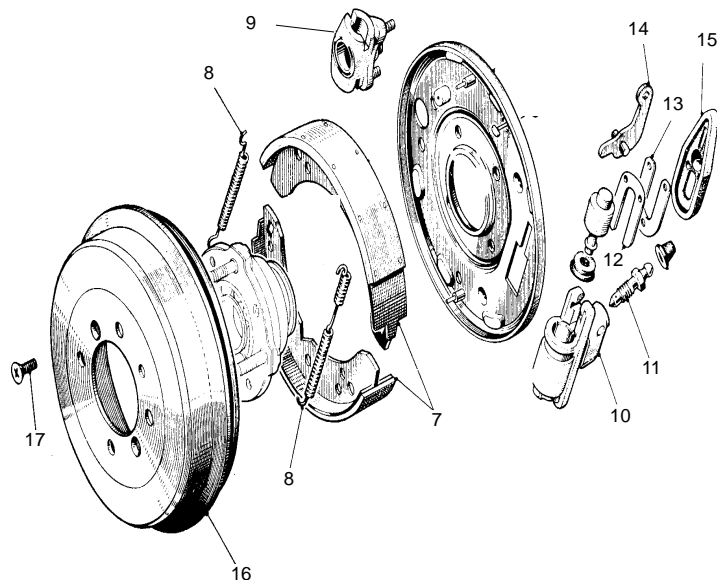


No	Part #	Description	Application	Qty	Price	No	Part #	Description	Application	Qty	Price
				Req	Each						
1	1H6021	Steering wheel, recast (X150)	FX3	1	477.95	19	21B288	Fulcrum pin	FX4	2	22.09
	21B62	Steering wheel, recast (X)	FX4	1	477.95	20	53K1770	Lockpin	FX4	2	7.87
	BD111	Steering wheel, recast (X150)	Beardmore	1	477.95	21	FNZ104	Nut	FX4	2	1.28
	BD120	Center motif	Beardmore	1	139.15	22	LWZ204	Spring washer	FX4	2	0.43
2	1F6202	Steering box assy (X150)	FX3	1	1,082.95	23	1G4346	Bush, lower link - front	FX4	2	32.67
	21B23	Steering box assy (X)	FX4	1	1,082.95	24	1G4348	Bush, lower link - rear	FX4	2	26.93
	BDSB	Steering box assy (X)	Beardmore	1	1,058.75	25	UHN400	Lubricator	FX4	A/R	2.12
	BD117	Oil seal	Beardmore	1	23.90	26	1G4350	Lockpin	FX4	4	6.48
3	1B6369	Idler assy (X)	FX4	1	405.35	27	53K1662	Nut	FX4	4	1.03
4	B3-161	Track rod end, pair - female	FX3	1	272.25	28	1G4276	Rebound	FX4	2	6.60
	B3-550	Track rod end, pair - male	FX3	1	272.25	29	UHN490	Lubricator	All	A/R	2.73
	1B6377	Track rod end, pair	FX4	A/R	272.25	30	21B225	Dust excluder tube, bottom	FX4	2	17.25
	BD113	Track rod end, pair	Beardmore	1	114.95	31	1B4607	Spring	FX4	2	2.24
5	7H3715	Dust cover	All	A/R	5.45	32	1B4605	Dust excluder tube, top	FX4	2	14.22
6	1B4612	Ring, cork	FX4	2	3.63	33	1F4013	Wheel stud, BSF	FX3	A/R	18.70
7	1B6363	Side rod, fixed ends	FX4	2	308.55		ATC7257	Wheel stud, UNF	FX3/4	A/R	13.31
8	1F8350	Shock absorber, frt left (X75)	FX3	1	284.35	34	1G8056	Lug nut, BSF	FX3	A/R	15.43
	1F8349	Shock absorber, frt right (X75)	FX3	1	284.35		1D8033	Lug nut, UNF	FX3/4	A/R	8.78
	1F8352	Shock absorber, rear lt (X75)	FX3	1	284.35	35	1B4624	Washer	FX4	2	2.73
	1F8351	Shock absorber, rear rt (X75)	FX3	1	284.35	36	3H1589	Oil seal	FX3	2	8.17
	11B5659	Shock absorber, rear left (X)	FX4	1	284.35		1B4623	Oil seal	FX4	2	29.95
	11B5658	Shock absorber, rear right (X)	FX4	1	284.35	37	2K6626	Bearing, inner - 3.25" OD	FX3	2	164.87
9	97H340	Link, front left (X25)	FX3	1	78.65		6K442	Bearing, inner - 3.54" OD	FX3	2	74.12
	97H339	Link, front right (X25)	FX3	1	78.65		1B4620	Bearing, inner	FX4	2	60.20
10	21B258	Shock absorber, front (X95)	FX4	2	284.35		B350-35	Bearing, inner	Beardmore	2	175.45
11	1G4349	Pin, fulcrum	FX4	2	9.99	38	2K7718	Bearing, outer - 2" OD	FX3	2	113.74
12	8G621	Bushing, upper	FX4	4	4.79		6K443	Bearing, outer - 2.5" OD	FX3	2	154.88
13	FNZ407	Nut, fulcrum pin	FX4	2	1.76		1B4621	Bearing, outer	FX4	2	60.20
14	1B4631	Spring, front coil - NCA	FX4	2	NCA		B090-74	Bearing, outer	Beardmore	2	42.05
15	3H3028	Lubricator	FX4	2	2.37	39	1B4625	Nut, UNF	FX4	2	7.08
16	8G622	Bushing, lower	FX4	8	0.00	40	ATC4270	Dust cap	FX4	2	40.24
17	1B4468	Buffer	FX4	2	17.55	41	1F4093	King pin kit	FX3	1	598.95
18	1G4505	Sealing ring	FX4	4	1.52		8G4210	King pin kit	FX4	1	538.45
						42	ACB4066	Seat	FX4	2	143.99



### FRONT

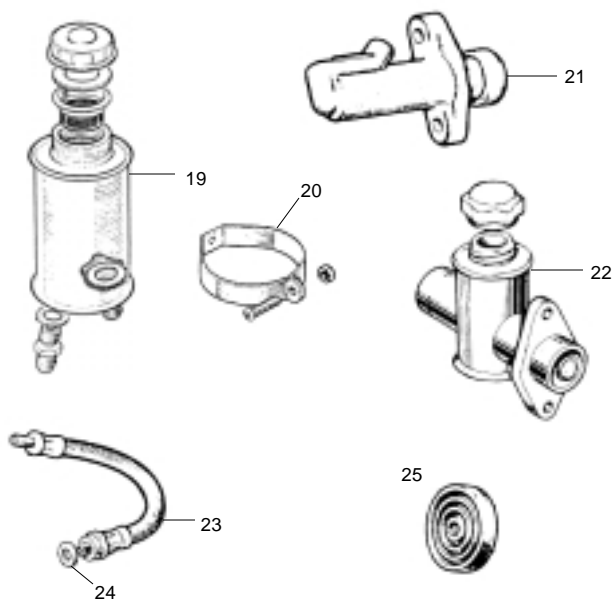
No	Part #	Description	Application	Qty Req	Price Each
1	8G8133	Shoe set, front (X185)	FX3	1	94.38
	8G8159	Shoe set, front (X110)	FX4	1	133.10
	LB121	Shoe set, front (X)	Beardmore	1	94.38
2	17H3707	Return spring	FX4	4	16.04
3	17H6908	Wheel cylinder, front right	FX4	2	191.18
	17H6909	Wheel cylinder, front left	FX4	2	191.18
	BD452	Wheel cylinder, front	Beardmore	4	228.69
	8G8201	Repair kit	FX4	1	53.55
	BD762	Repair kit	Beardmore	4	29.95
	7H4973	Bleed screw	FX4/Beardmore	2	NCA
4	1B7422	Brake drum - NCA	FX4	2	NCA
5	1B7422	Brake drum - NCA	FX4	2	NCA
6	CMZ0412	Screw	FX4	4	1.52



### REAR

No	Part #	Description	Application	Qty Req	Price Each
7	1H4035	Shoe set, rear (X125)	FX3	1	94.38
	8G7117	Shoe set, rear (X25)	FX4	1	133.10
	LB122	Shoe set, rear (X)	Beardmore	1	94.38
8	7H4596	Return spring	FX4	4	18.46
9	7H4997	Adjuster assy	FX4	2	308.55
10	17H8081	Wheel cylinder, rear	FX4	2	57.78
	BD348	Wheel cylinder, rear	Beardmore	2	356.95
	8G7067	Repair kit	FX4	1	32.98
	BD518	Repair kit	Beardmore	2	88.94
11	7H4973	Bleed screw - NCA	FX4/Beardmore	2	NCA
12	7H4904	Retaining spring - NCA	FX4	2	NCA
13	7H4907	Lockplate - NCA	FX4	2	NCA
14	17H4694	Lever	FX4	2	57.18
15	7H4906	Dust cover	FX4	2	8.17
16	1B7422	Brake drum - NCA	FX4	2	NCA
17	CMZ0410	Screw	FX4	4	1.52

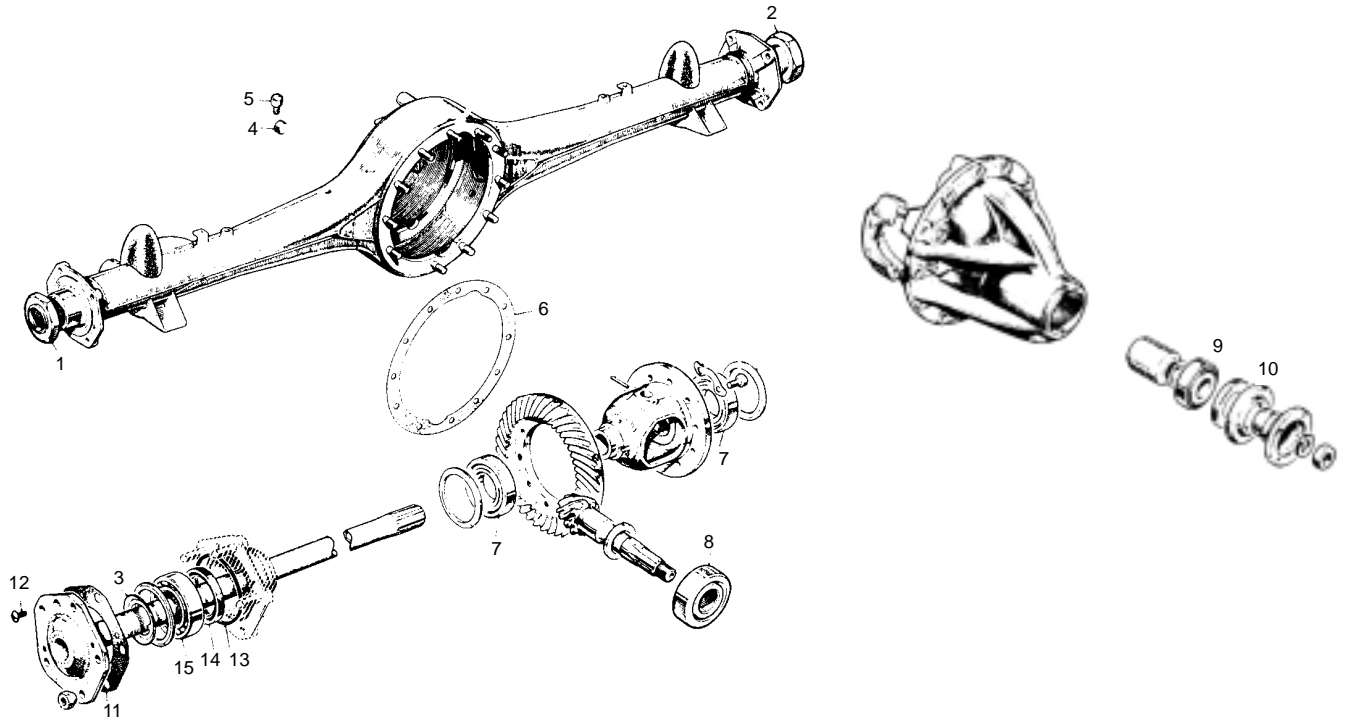
No	Part #	Description	Application	Qty Req	Price Each
19	11B5628	Supply tank, dual	FX4	1	144.30
20	13H297	Clip assy	FX4	1	23.90
21	11B5620	Master cylinder assy	FX4	2	179.69
	8G8810	Repair kit	FX4	2	23.90
	FX4044	Master cylinder assy, tandem	FX4 late	1	877.25
22	FX4683	Repair kit	FX4 late	1	133.10
	BD515	Master cylinder assy	Beardmore	2	320.65
	BD535	Repair kit	Beardmore	2	14.22
23	11B5086	Hose, intermediate front	FX4	1	31.16
	11B5627	Hose, front	FX4	2	34.19
	1G4406	Hose, rear	FX4	1	43.26
	BD208	Hose, front & rear	Beardmore	3	104.97
	3H2287	Washer, copper	All	A/R	1.16
25	1B5054	Pedal pad, brake/clutch	FX3/4	2	23.90
	E0A-2454	Pedal pad, brake/clutch	Beardmore	2	23.90
	17H4762	Brake/clutch fluid	12 oz	A/R	8.17
	7H4739	Brake/clutch fluid	quart	A/R	19.06



### USE ONLY **CASTROL GT LMA** BRAKE FLUID

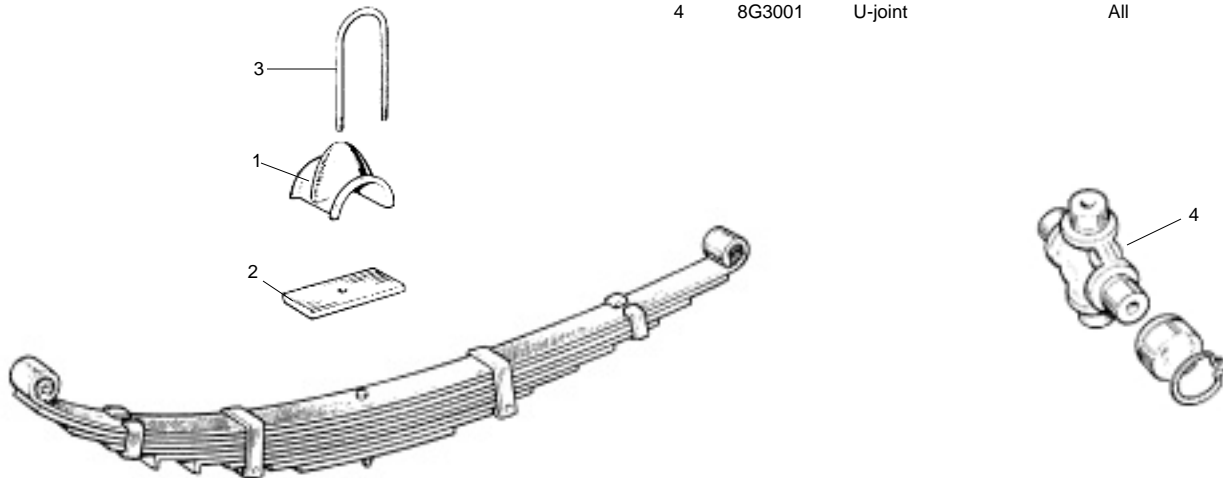
Use of improper fluids or mixing of fluids can lead to complete failure of brake and clutch hydraulics. On cars not used for daily transportation, brake and clutch systems should be exercised on a regular schedule.

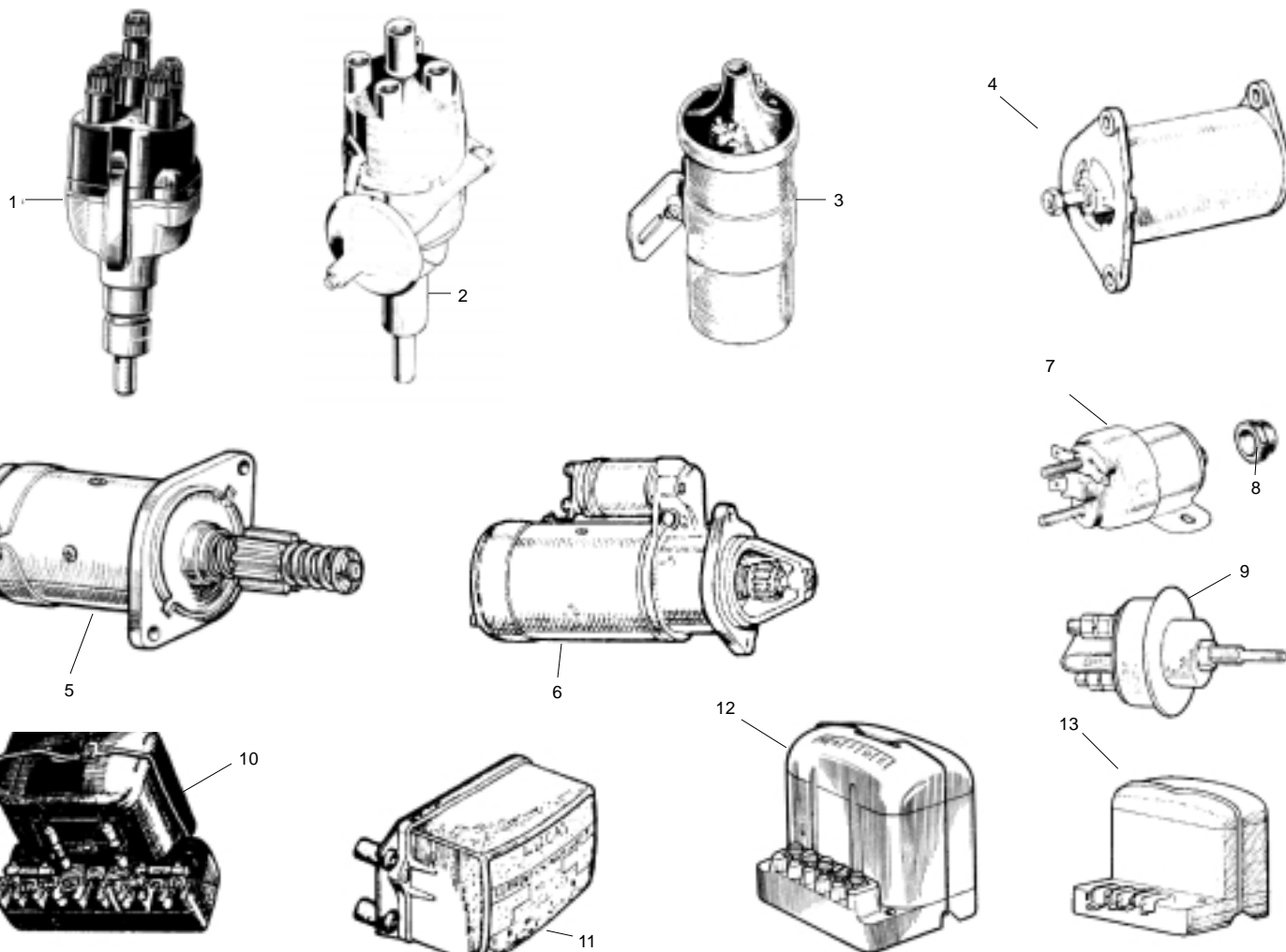
Steel brake lines available upon request. Please state overall length and fittings required (male/male, male/female or female/female).



No	Part #	Description	Application	Qty Req	Price Each	No	Part #	Description	Application	Qty Req	Price Each
1	ATC7062	Nut, RHT	FX4	1	43.26	10	1F7353	Seal, outer	FX3 w/worm	1	36.00
2	ATC7309	Nut, LHT	FX4	1	43.26		7H1014	Seal	FX3 w/hypoid	1	45.68
3	ATC7310	Washer	FX4	2	7.57		ATC7085	Seal	FX4	1	11.20
4	6K499	Drain& filler plug	FX4	2	5.87		ATC7589	Gasket	FX4	2	2.24
5	1H3364	Breather	FX4	1	8.17	12	CMZ0408	Screw	FX4	2	1.52
6	ATC7124	Gasket	FX4	1	4.54	13	ATC7588	O-ring	FX4	2	7.57
7	2K6546	Bearing	FX3 w/worm	2	234.74	14	3H1859	Oil seal	FX3 w/worm	2	49.92
	7H8105	Bearing	FX3 w/hypoid	2	71.39		7H8107	Oil seal, axle	FX3 w/hypoid	2	18.46
	2K6541	Bearing	FX4	2	99.22		7H8124	Oil seal, hub	FX3 w/hypoid	2	11.92
	BD255	Bearing	Beardmore	2	71.39		3H1589	Oil seal	FX4	2	8.17
8	2K5745	Bearing, inner	FX3 w/worm	1	NCA		BD371	Oil seal, axle	Beardmore	2	32.37
	7H8104	Bearing, inner	FX3 w/hypoid	1	71.39		BD649	Oil seal, hub	Beardmore	2	35.88
	ATC7089	Bearing, inner	FX4	1	95.59	15	2H2214	Bearing	FX3	2	54.15
	BD349	Bearing, inner	Beardmore	1	123.42		ATC7060	Bearing	FX4	2	108.60
9	2K5510	Bearing, outer	FX3 w/worm	1	221.43						
	7H8103	Bearing, outer	FX3 w/hypoid	1	54.45						
	ATC7091	Bearing, outer	FX4	1	79.86						
	BD024	Bearing, outer	Beardmore	1	80.77						
							1F8031	Wheel (U)	FX3	5	175.45

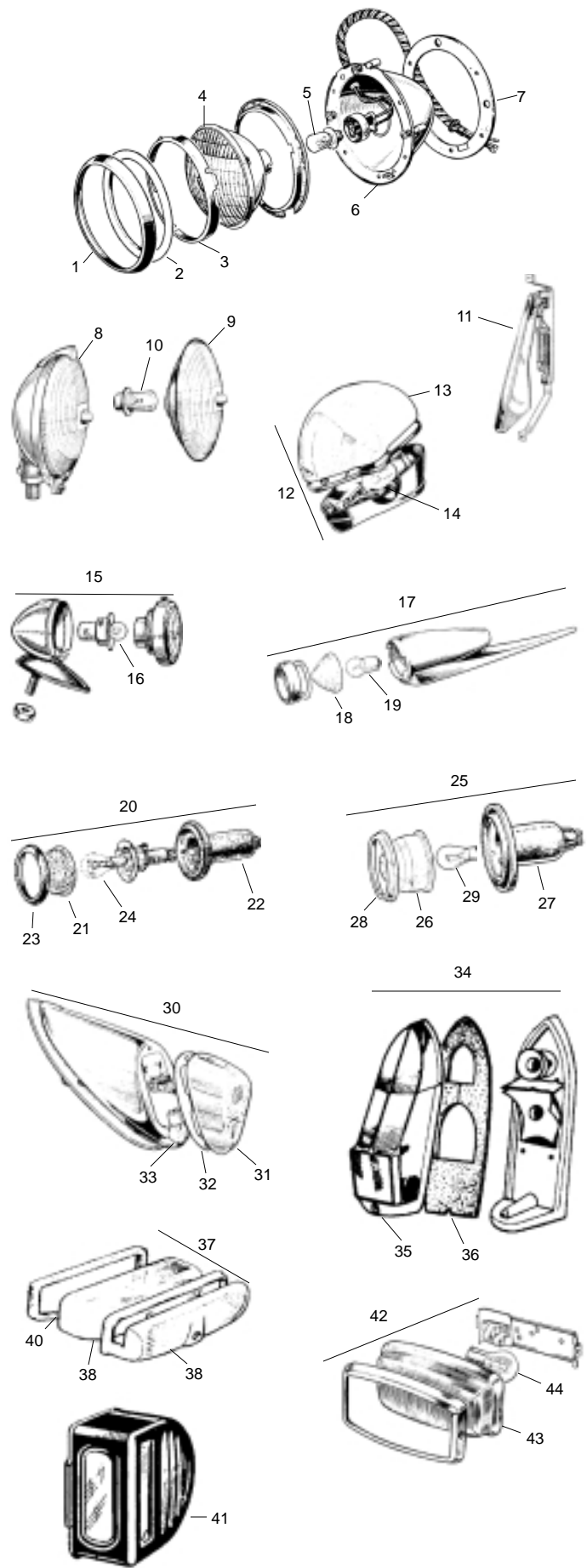
No	Part #	Description	Application	Qty Req	Price Each
1	11B5696	Buffer	FX4	2	37.82
2	1F5835	Pad	FX3/4	2	5.15
3	1F7461	U-bolt	FX3/4	4	10.59
4	8G3001	U-joint	All	2	36.00

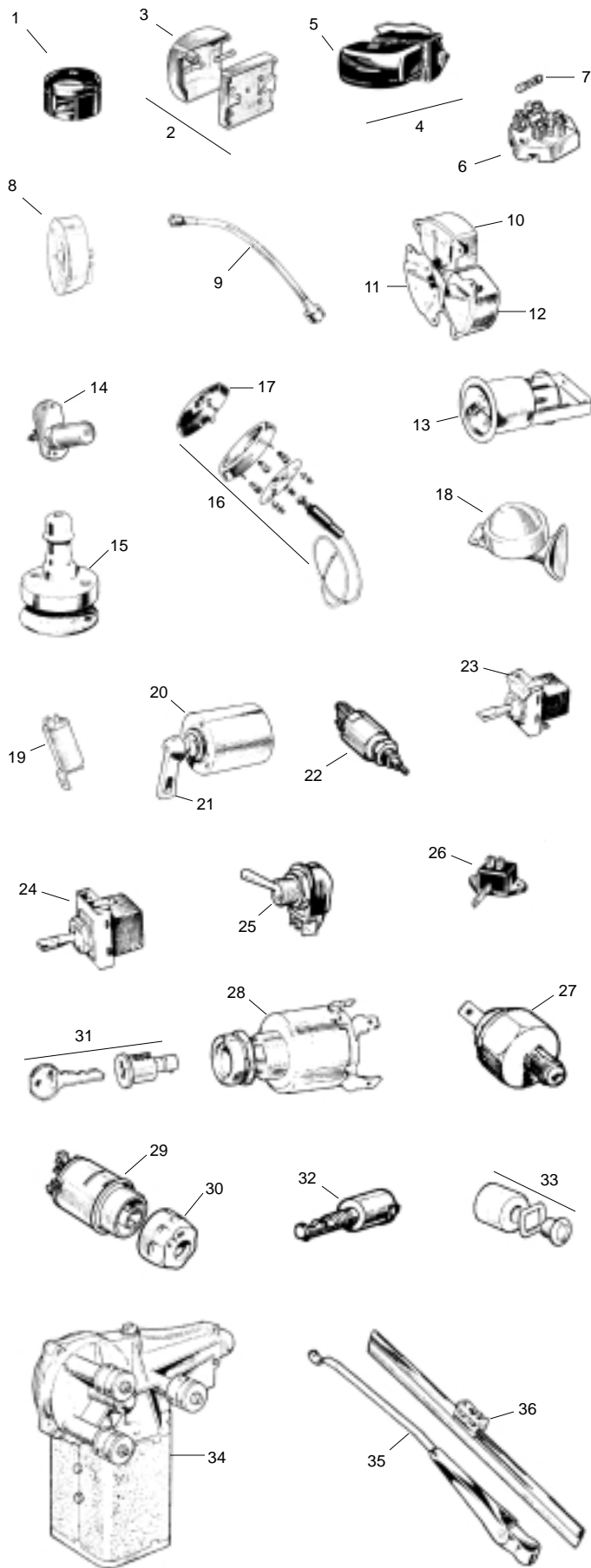




No	Part #	Description	Application	Qty Req	Price Each	No	Part #	Description	Application	Qty Req	Price Each		
1	3H2751	Distributor, DKY4A (X175)	FX3 early	1	453.75	5	2H1777	Starter, M418G (X195)	FX3/4 petrol	1	381.15		
	17H5102	Cap	bulged side	1	108.60		3H1281	Starter, M418G (X125)	FX3/4 petrol	1	344.85		
	410600	Nut, dist cap HT lead		5	1.64						0.00		
	185015	Washer, HT lead included w/ig wire set		5	1.52		7H5011	Bush, drive end	M418G	1	8.78		
	7H5086	Rotor		1	23.90		7H5004	Bush, com end	M418G	1	5.15		
	17H5049	Contact set		1	29.34		7H5002	Brush set	M418G	1	30.56		
	17H5093	Condensor		1	40.96		7H5008	Pinion gear	M418G	1	153.98		
	17H5280	Bush & lead		1	36.12						0.00		
	2	11B471	Distributor, DM2P4 (X125)	FX3 late/FX4/BD	1		393.25	6	AEJ1	Starter, M45G (X345)	FX3/4 diesel	1	405.35
		17H2785	Cap	round	1		17.85						
410600		Nut, HT lead		5	1.64	EOTA-11001	Starter, M35G (X)		Beardmore	1	156.09		
185015		Washer, HT lead included w/ig wire set		5	1.52	EOTA-11135	Bush, drive end			1	4.06		
7H5086		Rotor		1	23.90	EOTA-11052	Bush, com end			1	4.18		
17H5423		Contact set		1	8.29	EOTA-11057	Brush set			1	11.80		
17H5421		Condensor		1	6.00	EOTA-11367	Pinion gear			1	53.19		
37H5142		Vacuum unit		1	183.92								
37H5409		Bush & lead		1	36.12	7	BCA4501		Solenoid, starter	FX3/4 remote	1	59.90	
3		2A536	Ignition coil	FX3	1		127.05		27H5576	Rubber cap		1	5.51
	BCA4309	Ignition coil	FX4/Beardmore	1	50.52		17H5260	Solenoid, starter	Beardmore	1	150.65		
	408120	Nut, coil HT lead included w/coil		1	3.33								
	185015	Washer, coil HT lead	included w/coil	1	1.52		10	3H1375	Control box, RF95 (X185)	FX3	1	320.65	
	AAA5981	Ignition wire set	FX3	1	40.24			27H8031	Control box, 6GC (X35)	FX4 early	1	187.55	
	AJA11	Ignition wire set	FX4	1	47.50			13H475	Control box, RB310 (X175)	FX4 mid	1	308.55	
	EOTA-12282	Ignition wire set	BD EOTA/204E	1	43.87			BCA4663	Control box, RB340	FX4 late	1	95.90	
	211E-12282	Ignition wire set	BD 211E	1	51.13			EOA-10505	Control box, screw connects	Beardmore	1	88.03	
	1B2364	Vacuum tube, carb/dist	All	1	117.68			105E-10505	Control box, spade connects	Beardmore	1	86.22	
	4	AEJ22	Generator, C45 (X175)	All	1	296.45							
7H5021		Bearing	All	1	14.22	13H197		Resistance indicator	FX3/4 diesel	1	168.19		
17H5454		Bushing 22435/446/456/519		1	28.74								
17H5434		Bushing	22483/489/530	1	10.59								
7H5016		Brush set	22435-22483	1	42.17								
17H2472		Brush set	22489-22530	1	14.34								

No	Part #	Description	Application	Qty Req	Price Each
1	17H5142	Door, headlamp	FX4	2	57.48
	BD439	Door, headlamp	Beardmore	2	46.89
2	3H2962	Dust excluder	FX4/Beardmore	2	8.17
3	27H3338	Retainer	FX4/Beardmore	2	21.00
	L507586	Lens, 7 1/2"	FX3 single dip	2	284.35
4	7H5483	Light unit, pre-focus	FX3/4/Beardmore	2	114.95
	2H4571	Bulb, bayonet	FX3 single dip	2	35.40
5	BFS414	Bulb, pre-focus	FX3/4/Beardmore	2	14.22
	13H496	Bulb, sealed beam	FX4/Beardmore	2	9.26
6	7H6838	Body, pre-focus	FX4/Beardmore	2	35.40
	67H5028	Body, sealed beam	FX4/Beardmore	2	33.58
7	27H6967	Gasket, pre-focus	FX4/Beardmore	2	11.80
	17H5214	Gasket, sealed beam	FX4/Beardmore	2	10.84
8	1F9032	Foglamp assy	FX3/4	1	235.95
9	ACG5179	Light unit		1	78.65
10	BFS323	Bulb		1	6.60
11	SF34	Trafficator assy (X95)	FX3 early	2	272.25
	LLB256	Bulb		2	14.83
12	1F9052	Trafficator assy	FX3/4/Beardmore	2	260.15
13	37H5297	Lens, amber		2	83.49
	37H5300	Gasket, lens seating		2	10.59
14	1F9012	Bulb		2	1.76
	BD137	Gasket, lamp base	FX3/Beardmore	2	22.69
	47H5487	Gasket, lamp base	FX4	2	22.69
15	2H2912	Sidelamp	FX3	2	143.99
16	2H4442	Bulb		2	2.85
17	27H5577	Sidelamp assy	FX4	2	187.55
	7H5535	Lens, clear		2	16.64
19	BFS989	Bulb, single filament		2	1.76
20	3H3055	Side & flasher lamp, clear	Beardmore	2	54.03
	3H1814	Stop tail lamp, red	FX3/Beardmore	2	60.20
	17H9166	Gasket, lamp/body	FX3	2	19.06
	L488/B	Rear flasher lamp, amber	Beardmore	2	66.25
21	AJA5076	Lens, clear	Beardmore	2	17.61
	BD664	Lens, red	FX3/Beardmore	2	15.13
	BD266	Lens, amber	Beardmore	1	34.19
22	37H5527	Rubber body		1	7.57
23	7H5182	Rim		1	11.01
24	BFS382	Bulb, single filament	FX3	2	1.76
	BFS380	Bulb, dual filament	FX3/Beardmore	1	1.76
25	1B9112	Front flasher lamp, clear	FX4	2	54.15
	2A9040	Rear flasher lamp, red	FX4	2	50.52
	2A9013	Flasher lamp, amber	FX4	2	56.57
26	37H5519	Lens, clear		2	19.06
	37H5531	Lens, red		2	20.52
	37H5520	Lens, amber		2	23.78
27	37H5527	Body		1	7.57
28	7H5182	Rim		1	11.01
29	BFS382	Bulb, single filament		1	1.76
30	57H5237	Stop/tail lamp assy, left	FX4 early	1	NCA
	27H8659	Stop/tail lamp assy, right	FX4 early	1	NCA
31	AJA5069	Lens, red		2	22.69
32	AJA5071	Gasket		2	5.87
33	BFS380	Bulb, dual filament		2	1.76
34	L840	Stop/tail lamp assy	FX4 late	2	226.58
35	54582997	Lens		2	59.60
36	G883	Gasket		2	5.15
	BFS382	Bulb, single filament		2	1.76
	BFS380	Bulb, dual filament		2	1.76
37	13H506	License lamp assy	FX3/4/Beardmore	1	107.69
38	7H5121	Lens, clear		1	18.15
39	57H5367	Cover		1	27.83
40	57H5368	Gasket		1	8.41
	BFS989	Bulb, single filament		1	1.76
41	17H5517	Stop, tail & # plate lamp	FX3 early	1	228.69
	BFS380	Bulb, dual filament		1	1.76
42	17H6789	Interior lamp assy	FX4	3	211.75
43	57H5476	Lens, clear		3	66.55
44	BFS382	Bulb, single filament		3	1.76
	11G9021	Reflector assy, red	FX3	2	59.60
	BD031	Reflector assy, red	Beardmore	2	64.44
	L734/56859	Side marker lamp	FX4 late	2	76.23
	54573645	Lens, amber		2	43.87
	BFS504	Bulb		2	2.12
Electrical Supplies					
	2H866	Grommet, large	1 3/8" OD hole	1	13.01
	RFN306	Grommet, medium	7/8" OD hole	1	6.00
	RFN403	Grommet, small	1/2" OD hole	1	5.27
	LUC2E	Single connector		1	1.40
	LUC4E	Double connector		1	1.76
	LUC6E	Triple connector		1	3.94





No	Part #	Description	Application	Qty	Price
1	2H1824	Junction box	FX3	2	95.59
	BD058	Cover		2	36.00
	BD782	Junction box	Beardmore	2	95.59
	BD032	Cover		2	36.00
	SF3/37075	Fuse box	FX3- NCA	1	NCA
2	13H158	Fuse box	FX3/4/Beardmore	1	186.34
3	37H1807	Cover		1	59.60
4	1F9014	Fuse box	FX3/Beardmore	1	113.74
5	BD173	Cover		1	39.03
6	1G2613	Fuse box	FX4	1	94.69
7	7H5067	Fuse - 35 amp		1	1.88
	7H5540	Fuse - 50 amp		1	2.00
8	17H1573	Speedometer (X125)	FX3	1	296.45
	1F9042	Speedometer, (X95)	FX4	1	296.45
	BD114	Speedometer, (X95)	Beardmore	1	296.45
9	27H1777	Cable	FX3	1	29.95
	1H9047	Cable	FX4	1	31.16
	BD987	Cable	Beardmore	1	31.16
10	3H2176	Ammeter, cream (X25)	FX3	1	114.95
	1F9048	Ammeter, black	FX4	1	78.65
11	1F9020	Oil pressure gauge, cream	FX3	1	223.85
	1B9012	Oil pressure gauge, black	FX4/Beardmore	1	78.65
12	2H1992	Fuel gauge, cream (X25)	FX3	1	114.95
	1F9047	Fuel gauge, black	FX4/Beardmore	1	78.65
13	17H8351	Temperature gauge, black	FX4	1	151.25
14	11G2007	Dip switch	FX3/Beardmore	1	81.98
15	13H176	Dip switch	FX4	1	98.92
16	BD709	Horn/turn signal assy	FX3	1	586.85
	13H292	Horn button assy	FX4	1	NCA
17	27H7601	Cover & motif	FX4	1	142.78
	BD205	Horn push	Beardmore	1	75.02
18	1F9033	Horn, low note	All	1	120.40
18	1F9017	Flasher unit	FX3/BD	1	33.70
	13H179	Flasher unit	FX4	1	17.85
20	47H5420	Switch, turn signal	FX4/Beardmore	1	289.19
21	47H5421	Knob (lever), black	FX4	1	24.02
	BD149	Knob (lever), brown	Beardmore	1	24.02
22	2H4842	Switch, foglamp/panel/wiper	FX3	1	107.69
	BD403	Knob, black 'F'	FX3	1	20.88
	BD026	Knob, black plain	FX3	2	18.46
	BD357	Switch, interior	FX3	1	78.65
23	2A9129	Switch, fog/htr/int/panel/wiper	FX4	1	96.62
24	1H9077	Switch, headlamp	FX4	1	68.07
25	AKG1533	Switch, hire sign/pass htr	FX4	3	29.95
26	2H1640	Switch, stop lamp	FX3	1	96.20
27	27H4754	Switch, stop lamp	FX4	1	19.06
	2H2020	Switch, lighting & ignition	FX3	1	562.65
28	13H200	Switch, starter/ignition	FX4	1	58.69
29	3H1557	Switch, lighting & ignition	Beardmore	1	163.35
30	BD813	Knob, brown	Beardmore	1	31.16
31	7H9830	Cylinder w/key	FX4/Beardmore	1	11.80
	811 2313	Key, code cut	specify code	1	16.04
	BD605	Switch, battery master	Beardmore	1	113.74
32	BD434	Switch, fog/panel/wiper	Beardmore	3	51.73
	BD499	Knob, brown 'F'	Beardmore	1	23.90
	BD492	Knob, brown 'P'	Beardmore	1	23.90
	BD491	Knob, brown 'W'	Beardmore	1	23.90
	BD042	Knob, brown plain	Beardmore	1	20.88
33	37H5058	Warning light, flasher - green	FX3	1	66.55
	2H3837	Warning light, ignition - red	FX3	1	66.55
	1F9049	Warning light, flasher/oil - grn	FX4/Beardmore	1	48.35
	BD112	Warning light, flasher - amber	Beardmore	1	78.65
	BD118	Warning light, ignition - red	Beardmore	1	78.65
	17H5219	Wiper motor, CR type (X95)	FX3 early	1	175.45
34	47H5378	Wiper motor, DR2 type (X125)	FX3 late/FX4/BD	1	308.55
35	7H9545	Wiper arm	FX3	2	72.30
	57H5181	Wiper arm, left	FX4	1	72.30
	57H5182	Wiper arm, right	FX4	1	72.30
	BD905	Wiper arm	Beardmore	2	65.64
36	2H7575	Wiper blade	FX3	2	23.90
	47H5422	Wiper blade	FX4/Beardmore	2	31.16
	14A9422	Grommet, wiper shaft	FX3	2	10.59
	2H7954	Plug, rubber (blade retainer)	FX3	2	2.37
					0.00
	DKS-FX3	Dash knob set	FX3 petrol	1	118.58
		includes; fog, panel, wiper, heater fan, heater valve & choke knobs			
	DKS-FX3D	Dash knob set	FX3 diesel	1	216.59
		includes; fog, panel, wiper, heater fan, heater valve & stop knobs			
	DKS-BD	Dash knob set	Beardmore	1	152.46
		includes; turn signal lever, headlamp, fog, panel, wiper, plain & choke knobs			



**Kip Motor Company, Inc.**

2127 Crown Road  
Dallas, Texas 75229



*Your full service British antique  
automobile parts, restoration  
and repair facility.*

*Online Secure Shopping!*

*One Call Does It All!*

[www.kipmotor.com](http://www.kipmotor.com)

**FIRST CLASS MAIL**